

## End Lock cylinders - Series 63

Product code: 63MP2C032A0050FLT

Datasheet creation date: 09/03/2025 12:24

Check the most updated document online [click here](#)

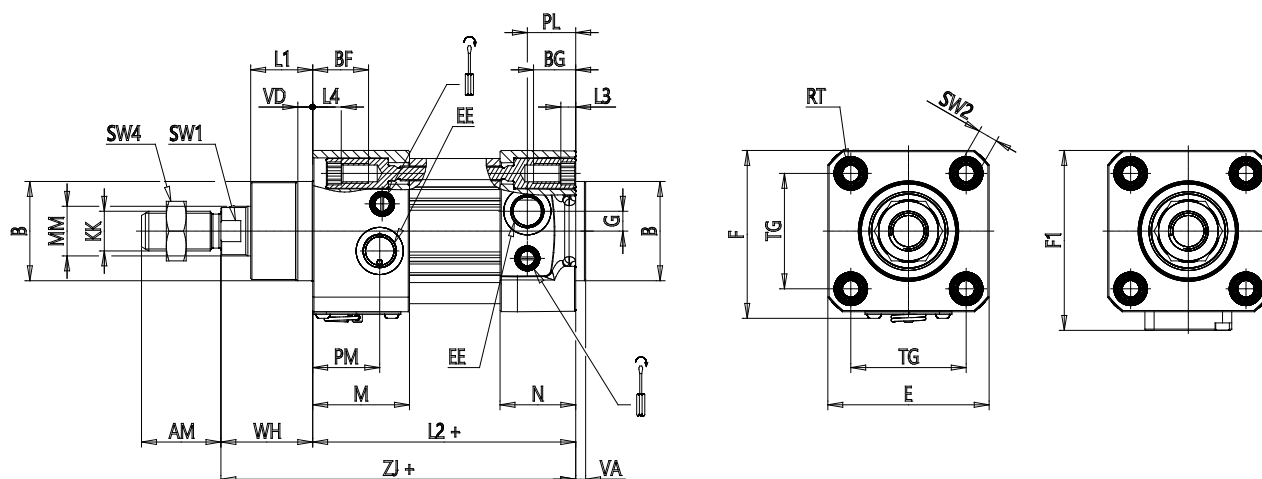


### TECHNICAL DATA

|                                |   |
|--------------------------------|---|
| <b>Series</b>                  | 63  |
| <b>Version</b>                 | M = standard, magnetic                                      |
| <b>Construction</b>            | P= profile tube   |
| <b>Operation</b>               | 2 = double effect   |
| <b>Cushioning</b>              | C = cushioning on both sides                                |
| <b>Bore (mm)</b>               | 32  |
| <b>Construction type</b>       | A = standard with rod nut                                   |
| <b>Stroke type</b>             | standard  |
| <b>Stroke (mm)</b>             | 50  |
| <b>Stroke2 (mm)</b>            | 0   |
| <b>Rod length (mm)</b>         | 0   |
| <b>Rod length 2 (mm)</b>       | 0   |
| <b>Lock type</b>               | FL = Front lock   |
| <b>Temperature range</b>       | = standard (-20°/+80°C)                                     |
| <b>Resistance to corrosion</b> | = Standard  |
| <b>Manual unlock type</b>      | T = manual integrated with release pin and protective cover |
| <b>Variants</b>                | = standard (male rod)                                       |
| <b>Certifications</b>          | = Standard  |

## End Lock cylinders - Series 63

Product code: 63MP2C032A0050FLT



### DIMENSIONS

|         |          |
|---------|----------|
| MM (mm) | 12       |
| KK      | M10x1,25 |
| B (mm)  | 30       |
| PL (mm) | 18.5     |
| PM (mm) | 18       |
| L1 (mm) | 18       |
| AM (mm) | 22       |
| VA (mm) | 4        |
| EE      | G1/8     |
| WH (mm) | 26       |
| L2 (mm) | 94       |
| L3 (mm) | 5.5      |
| L4 (mm) | 11.5     |
| ZJ (mm) | 120      |
| VD (mm) | 5        |
| N (mm)  | 27.0     |
| BG (mm) | 16.0     |
| M (mm)  | 34       |
| BF (mm) | 22.0     |
| RT (mm) | M6       |
| G (mm)  | 5.0      |
| TG (mm) | 32.5     |
| R (mm)  | 13       |

|                       |      |
|-----------------------|------|
| E (mm)                | 47   |
| F (mm)                | 49.7 |
| F1 (mm)               | 57.0 |
| SW1 (mm)              | 10   |
| SW2 (mm)              | 6    |
| SW3 (mm)              | 2    |
| SW4 (mm)              | 17   |
| Front cushioning (mm) | 17   |
| Rear cushioning (mm)  | 17.0 |