

End Lock cylinders - Series 63

Product code: 63MP2C040F0850BLT

Datasheet creation date: 09/03/2025 12:29

Check the most updated document online [click here](#)

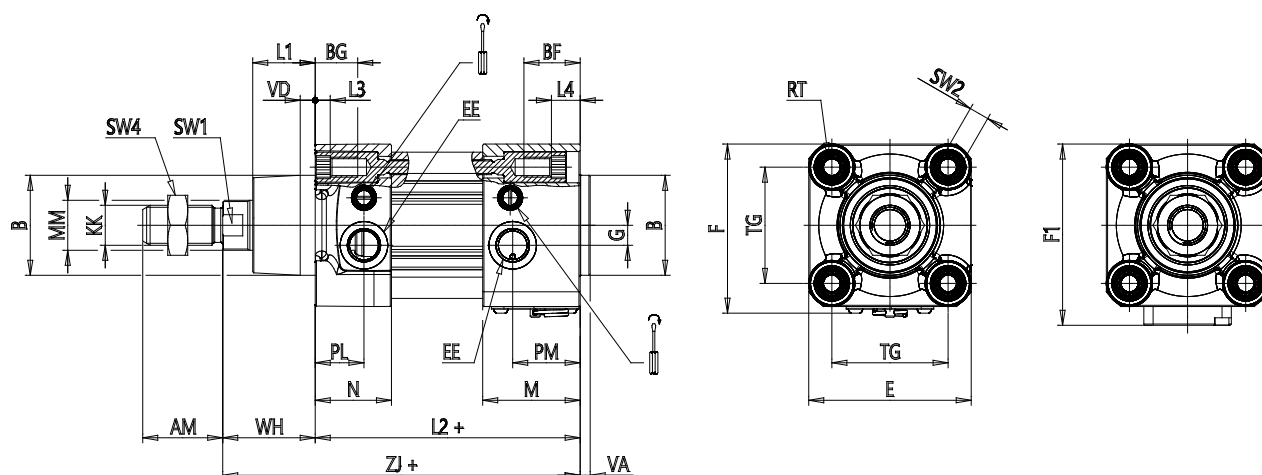


TECHNICAL DATA

| | |
|--------------------------------|---|
| Series | 63 |
| Version | M = standard, magnetic |
| Construction | P= profile tube |
| Operation | 2 = double effect |
| Cushioning | C = cushioning on both sides |
| Bore (mm) | 40 |
| Construction type | F = cylinder with intermediate hinge |
| Stroke type | variable |
| Stroke (mm) | 850 |
| Stroke2 (mm) | 0 |
| Rod length (mm) | 0 |
| Rod length 2 (mm) | 0 |
| Lock type | BL = Rear lock |
| Temperature range | = standard (-20°/+80°C) |
| Resistance to corrosion | = Standard |
| Manual unlock type | T = manual integrated with release pin and protective cover |
| Variants | = standard (male rod) |
| Certifications | = Standard |

End Lock cylinders - Series 63

Product code: 63MP2C040F0850BLT



DIMENSIONS

| | |
|---------|----------|
| MM (mm) | 16 |
| KK | M12x1,25 |
| B (mm) | 35 |
| PL (mm) | 19.0 |
| PM (mm) | 24 |
| L1 (mm) | 21 |
| AM (mm) | 24 |
| VA (mm) | 4 |
| EE | G1/4 |
| WH (mm) | 30 |
| L2 (mm) | 105 |
| L3 (mm) | 5.5 |
| L4 (mm) | 15.0 |
| ZJ (mm) | 135 |
| VD (mm) | 5 |
| N (mm) | 30.0 |
| BG (mm) | 16.0 |
| M (mm) | 40 |
| BF (mm) | 25.5 |
| RT (mm) | M6 |
| G (mm) | 5.0 |
| TG (mm) | 38.0 |
| R (mm) | 13.5 |

| | |
|-----------------------|------|
| E (mm) | 55 |
| F (mm) | 57.7 |
| F1 (mm) | 64.5 |
| SW1 (mm) | 13 |
| SW2 (mm) | 6 |
| SW3 (mm) | 2 |
| SW4 (mm) | 19 |
| Front cushioning (mm) | 17 |
| Rear cushioning (mm) | 17.0 |