

## End Lock cylinders - Series 63

Product code: 63MP2C050A1800DLZC2T

Datasheet creation date: 09/03/2025 12:33

Check the most updated document online [click here](#)

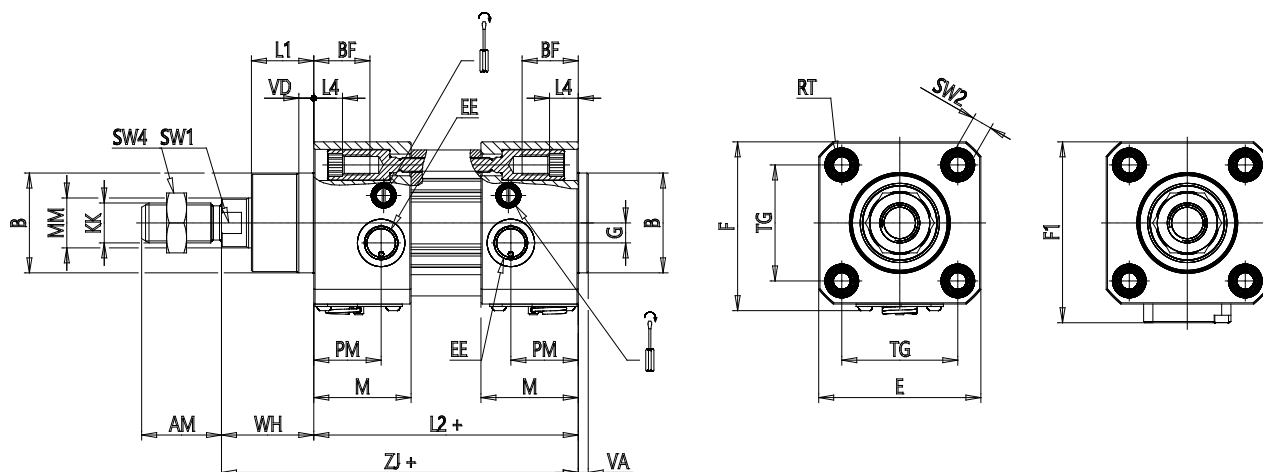


### TECHNICAL DATA

<b>Series</b>	63
<b>Version</b>	M = standard, magnetic
<b>Construction</b>	P= profile tube
<b>Operation</b>	2 = double effect
<b>Cushioning</b>	C = cushioning on both sides
<b>Bore (mm)</b>	50
<b>Construction type</b>	A = standard with rod nut
<b>Stroke type</b>	variable
<b>Stroke (mm)</b>	1800
<b>Stroke2 (mm)</b>	0
<b>Rod lenght (mm)</b>	0
<b>Rod lenght 2 (mm)</b>	0
<b>Lock type</b>	DL = Double lock
<b>Temperature range</b>	Z = low temperatures (-40°C)
<b>Resistance to corrosion</b>	C2 = treated head screws or AISI 303 tie rods and AISI 420B tie rods (Ø125)
<b>Manual unlock type</b>	T = manual integrated with release pin and protective cover
<b>Variants</b>	= standard (male rod)
<b>Certifications</b>	= Standard

## End Lock cylinders - Series 63

Product code: 63MP2C050A1800DLZC2T



### DIMENSIONS

MM (mm)	20
KK	M16x1,5
B (mm)	40
PL (mm)	19.5
PM (mm)	27
L1 (mm)	25
AM (mm)	32
VA (mm)	4
EE	G1/4
WH (mm)	37
L2 (mm)	106
L3 (mm)	6.0
L4 (mm)	11.5
ZJ (mm)	143
VD (mm)	6
N (mm)	30.5
BG (mm)	16.0
M (mm)	39
BF (mm)	21.5
RT (mm)	M8
G (mm)	8.0
TG (mm)	46.5
R (mm)	16

E (mm)	65
F (mm)	67.7
F1 (mm)	72.5
SW1 (mm)	17
SW2 (mm)	8
SW3 (mm)	3
SW4 (mm)	24
Front cushioning (mm)	19
Rear cushioning (mm)	14.5