

End Lock cylinders - Series 63

Product code: 63MP2C063A0250DL

Datasheet creation date: 09/03/2025 12:35

Check the most updated document online [click here](#)

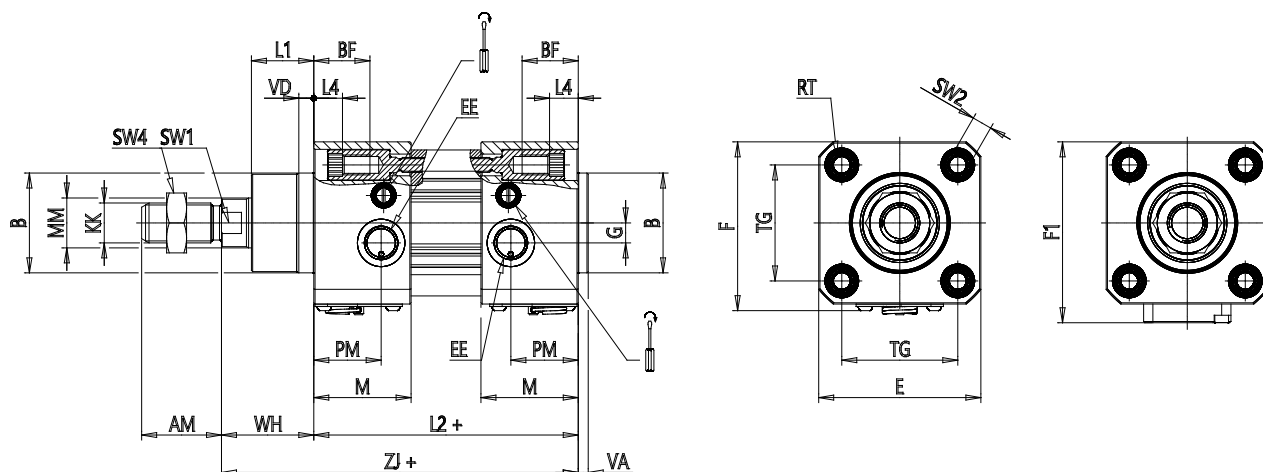


TECHNICAL DATA

| | |
|--------------------------------|---------------------------------------|
| Series | 63 |
| Version | M = standard, magnetic |
| Construction | P= profile tube |
| Operation | 2 = double effect |
| Cushioning | C = cushioning on both sides |
| Bore (mm) | 63 |
| Construction type | A = standard with rod nut |
| Stroke type | standard |
| Stroke (mm) | 250 |
| Stroke2 (mm) | 0 |
| Rod length (mm) | 0 |
| Rod length 2 (mm) | 0 |
| Lock type | DL = Double lock |
| Temperature range | = standard (-20°/+80°C) |
| Resistance to corrosion | = Standard |
| Manual unlock type | = manual with M3 screw (not included) |
| Variants | = standard (male rod) |
| Certifications | = Standard |

End Lock cylinders - Series 63

Product code: 63MP2C063A0250DL



DIMENSIONS

| | |
|---------|---------|
| MM (mm) | 20 |
| KK | M16x1,5 |
| B (mm) | 45 |
| PL (mm) | 24.0 |
| PM (mm) | 27 |
| L1 (mm) | 26 |
| AM (mm) | 32 |
| VA (mm) | 4 |
| EE | G3/8 |
| WH (mm) | 37 |
| L2 (mm) | 121 |
| L3 (mm) | 6.0 |
| L4 (mm) | 12.5 |
| ZJ (mm) | 158 |
| VD (mm) | 6 |
| N (mm) | 37.5 |
| BG (mm) | 16.0 |
| M (mm) | 44 |
| BF (mm) | 22.5 |
| RT (mm) | M8 |
| G (mm) | 8.0 |
| TG (mm) | 56.5 |
| R (mm) | 28 |

| | |
|-----------------------|------|
| E (mm) | 75 |
| F (mm) | 77.5 |
| F1 (mm) | 82.5 |
| SW1 (mm) | 17 |
| SW2 (mm) | 8 |
| SW3 (mm) | 3 |
| SW4 (mm) | 24 |
| Front cushioning (mm) | 19 |
| Rear cushioning (mm) | 19.5 |