

Cylinders ISO 1552 - Series 63

Product code: 63MP2C063A0915

Datasheet creation date: 09/03/2025 14:09

Check the most updated document online [click here](#)

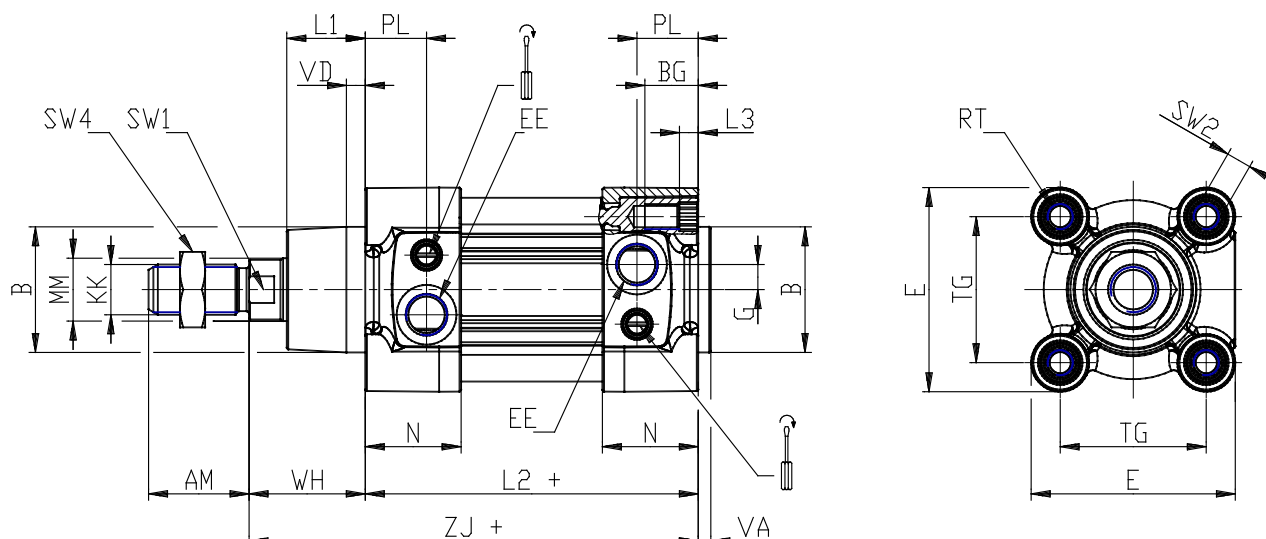


TECHNICAL DATA

| | |
|---------------------------------------------------------------|------------------------------------|
| Series | 63 |
| Version | M = standard, magnetic |
| Costrction | P = profile tube |
| Operation | 2 = double effect |
| Cushioning | C = cushioning on both sides |
| Bore (mm) | 63 |
| Construction | A = standard with lock nut for rod |
| Stroke type | - = variable |
| X1 (stroke cylinders) it has to be smaller of X2 (mm) | 915 |
| X2 (stroke cylinders) it has to be greater of X1 (mm) | 0 |
| Temperature Range | = standard (-20°/+80°C) |
| Resistence to corrosion | = standard |
| Rod variants | = standard (male thread rod) |
| End caps variants | = standard |
| Variants of rod seals | = standard |
| Rod seal protection variants | = standard |
| Bellow protection variants | = standard |
| Rod length (mm) | 0 |
| Other | = standard |
| Certifications | = standard |

Cylinders ISO 1552 - Series 63

Product code: 63MP2C063A0915



DIMENSIONS

| | |
|----------|---------|
| MM (mm) | 20 |
| KK | M16x1,5 |
| B (mm) | 45 |
| PL (mm) | 24.0 |
| L1 (mm) | 26 |
| AM (mm) | 32 |
| VA (mm) | 4 |
| EE | G3/8 |
| WH (mm) | 37.000 |
| L2 (mm) | 121.0 |
| L3 (mm) | 6.0 |
| L4 (mm) | 27.0 |
| ZM (mm) | - |
| ZJ (mm) | 158 |
| VD (mm) | 6 |
| N (mm) | 37.5 |
| BG (mm) | 16.0 |
| RT | M8 |
| G (mm) | 8.0 |
| TG (mm) | 56.5 |
| E (mm) | 75.0 |
| SW1 (mm) | 17 |
| SW2 (mm) | 8 |

| | |
|---------------------|------|
| SW3 (mm) | 3 |
| SW4 (mm) | 24 |
| Cushion stroke (mm) | 22 |
| DE (mm) | 61 |
| P (mm) | 16 |
| R | M5 |
| LB (mm) | 20.5 |
| D1 (mm) | 45.0 |
| D2 (mm) | 60 |
| D3 (mm) | 38 |
| A (mm) | 56.5 |
| G2 | G1/8 |
| H (mm) | 40.0 |
| H1 (mm) | 75.0 |
| L1B (mm) | 82 |
| L2B (mm) | 70 |
| L3B (mm) | 12 |
| L4B (mm) | 15 |
| L5B (mm) | 16 |
| L6B (mm) | 29.5 |
| L7B (mm) | 49.5 |
| L8B (mm) | 70 |
| L9B (mm) | 121 |