

## Cylinders ISO 15552 - Series 63

Product code: 63MP2C080A0075W

Datasheet creation date: 09/03/2025 14:17

Check the most updated document online [click here](#)

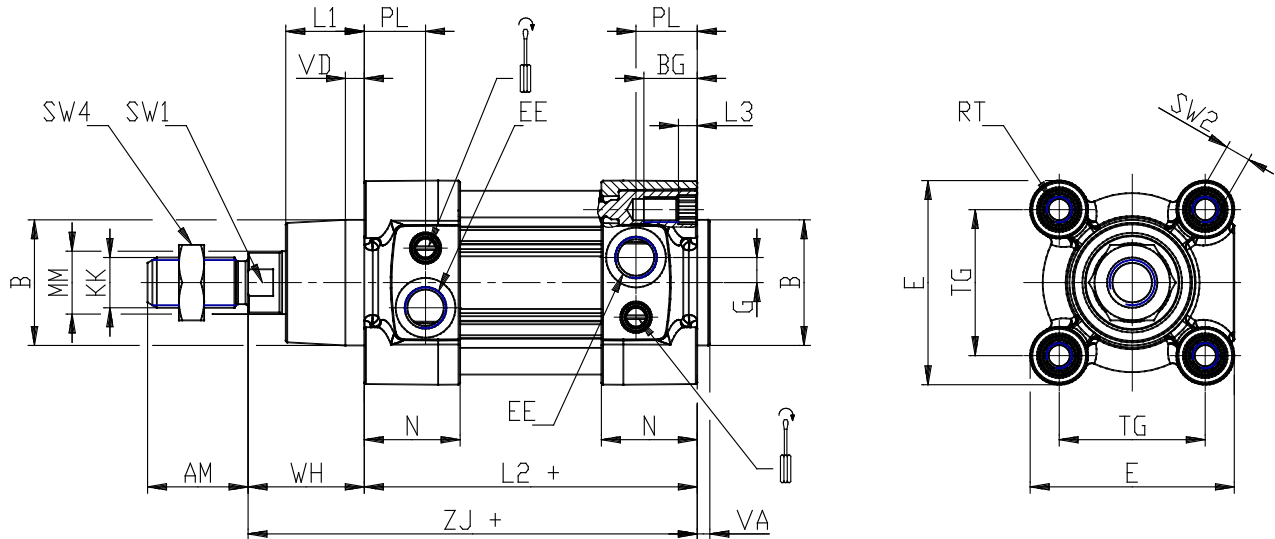


### TECHNICAL DATA

|   |                                    |
|---|------------------------------------|
| <b>Series</b>   | 63                                 |
| <b>Version</b>  | M = standard, magnetic             |
| <b>Costrction</b>   | P = profile tube                   |
| <b>Operation</b>  | 2 = double effect                  |
| <b>Cushioning</b>   | C = cushioning on both sides       |
| <b>Bore (mm)</b>  | 80                                 |
| <b>Construction</b>   | A = standard with lock nut for rod |
| <b>Stroke type</b>  | = standard                         |
| <b>X1 ( stroke cylinders) it has to be smaller of X2 (mm)</b> | 75                                 |
| <b>X2 ( stroke cylinders) it has to be greater of X1 (mm)</b> | 0                                  |
| <b>Temperature Range</b>                                      | W = high temperatures (150°C)      |
| <b>Resistance to corrosion</b>                                | = standard                         |
| <b>Rod variants</b>   | = standard (male thread rod)       |
| <b>End caps variants</b>                                      | = standard                         |
| <b>Variants of rod seals</b>                                  | = standard                         |
| <b>Rod seal protection variants</b>                           | = standard                         |
| <b>Bellow protection variants</b>                             | = standard                         |
| <b>Rod length (mm)</b>  | 0                                  |
| <b>Other</b>  | = standard                         |
| <b>Certifications</b>   | = standard                         |

## Cylinders ISO 15552 - Series 63

Product code: 63MP2C080A0075W



### DIMENSIONS

|          |         |
|----------|---------|
| MM (mm)  | 25      |
| KK       | M20x1,5 |
| B (mm)   | 45      |
| PL (mm)  | 23.5    |
| L1 (mm)  | 30      |
| AM (mm)  | 40      |
| VA (mm)  | 4       |
| EE       | G3/8    |
| WH (mm)  | 46.000  |
| L2 (mm)  | 128.0   |
| L3 (mm)  | 0.0     |
| L4 (mm)  | 27.0    |
| ZM (mm)  | -       |
| ZJ (mm)  | 174     |
| VD (mm)  | 7       |
| N (mm)   | 37.0    |
| BG (mm)  | 19.0    |
| RT       | M10     |
| G (mm)   | 8.0     |
| TG (mm)  | 72.0    |
| E (mm)   | 93.0    |
| SW1 (mm) | 22      |
| SW2 (mm) | 6       |

|                     |      |
|---------------------|------|
| SW3 (mm)            | 5    |
| SW4 (mm)            | 30   |
| Cushion stroke (mm) | 25   |
| DE (mm)             | 83   |
| P (mm)              | 12   |
| R                   | G1/8 |
| LB (mm)             | 17.5 |
| D1 (mm)             | 45.0 |
| D2 (mm)             | 80   |
| D3 (mm)             | 48   |
| A (mm)              | 72.0 |
| G2                  | G1/8 |
| H (mm)              | 50.0 |
| H1 (mm)             | 95.0 |
| L1B (mm)            | 110  |
| L2B (mm)            | 90   |
| L3B (mm)            | 20   |
| L4B (mm)            | 18   |
| L5B (mm)            | 20   |
| L6B (mm)            | 35.0 |
| L7B (mm)            | 61.0 |
| L8B (mm)            | 90   |
| L9B (mm)            | 128  |