

End Lock cylinders - Series 63

Product code: 63MP2C100A0200DLT

Datasheet creation date: 09/03/2025 12:21

Check the most updated document online [click here](#)

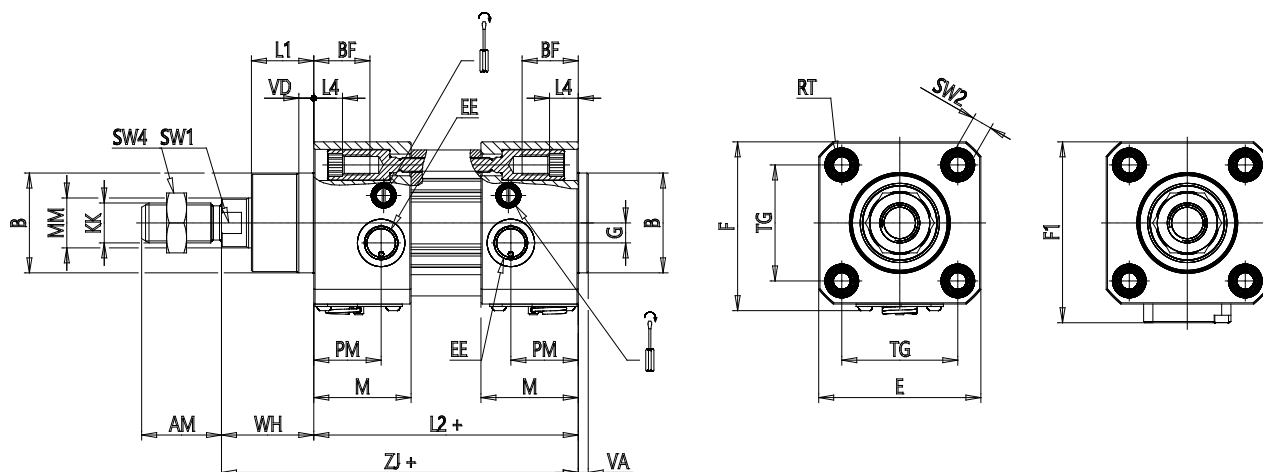


TECHNICAL DATA

Series	63
Version	M = standard, magnetic
Construction	P= profile tube
Operation	2 = double effect
Cushioning	C = cushioning on both sides
Bore (mm)	100
Construction type	A = standard with rod nut
Stroke type	standard
Stroke (mm)	200
Stroke2 (mm)	0
Rod lenght (mm)	0
Rod lenght 2 (mm)	0
Lock type	DL = Double lock
Temperature range	= standard (-20°/+80°C)
Resistance to corrosion	= Standard
Manual unlock type	T = manual integrated with release pin and protective cover
Variants	= standard (male rod)
Certifications	= Standard

End Lock cylinders - Series 63

Product code: 63MP2C100A0200DLT



DIMENSIONS

MM (mm)	25
KK	M20x1,5
B (mm)	55
PL (mm)	24.0
PM (mm)	32
L1 (mm)	35
AM (mm)	40
VA (mm)	4
EE	G1/2
WH (mm)	51
L2 (mm)	138
L3 (mm)	0.0
L4 (mm)	7.5
ZJ (mm)	189
VD (mm)	7
N (mm)	39.5
BG (mm)	19.5
M (mm)	47
BF (mm)	27.0
RT (mm)	M10
G (mm)	8.0
TG (mm)	89.0
R (mm)	40

E (mm)	110
F (mm)	112.7
F1 (mm)	116.5
SW1 (mm)	22
SW2 (mm)	6
SW3 (mm)	5
SW4 (mm)	30
Front cushioning (mm)	21
Rear cushioning (mm)	21.0