

## Cylinders ISO 1552 - Series 63

Product code: 63MP2C100RL0150

Datasheet creation date: 09/03/2025 12:54

Check the most updated document online [click here](#)

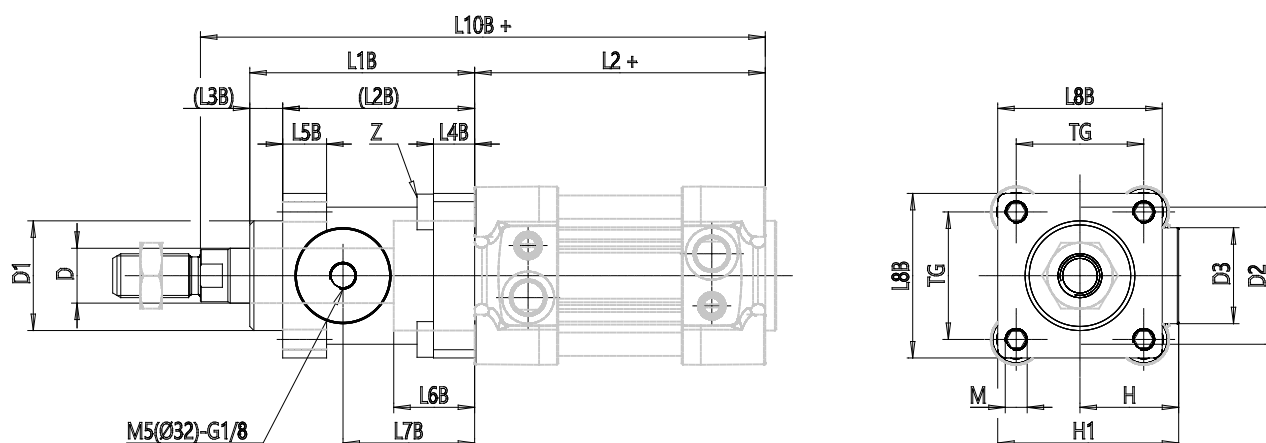


### TECHNICAL DATA

|   |                              |
|---|------------------------------|
| <b>Series</b>   | 63                           |
| <b>Version</b>  | M = standard, magnetic       |
| <b>Costrction</b>   | P = profile tube             |
| <b>Operation</b>  | 2 = double effect            |
| <b>Cushioning</b>   | C = cushioning on both sides |
| <b>Bore (mm)</b>  | 100                          |
| <b>Construction</b>   | RL = cylinder with rod lock  |
| <b>Stroke type</b>  | = standard                   |
| <b>X1 ( stroke cylinders) it has to be smaller of X2 (mm)</b> | 150                          |
| <b>X2 ( stroke cylinders) it has to be greater of X1 (mm)</b> | 0                            |
| <b>Temperature Range</b>                                      | = standard (-20°/+80°C)      |
| <b>Resistence to corrosion</b>                                | = standard                   |
| <b>Rod variants</b>   | = standard (male thread rod) |
| <b>End caps variants</b>                                      | = standard                   |
| <b>Variants of rod seals</b>                                  | = standard                   |
| <b>Rod seal protection variants</b>                           | = standard                   |
| <b>Bellow protection variants</b>                             | = standard                   |
| <b>Rod length (mm)</b>  | 0                            |
| <b>Other</b>  | = standard                   |
| <b>Certifications</b>   | = standard                   |

## Cylinders ISO 15552 - Series 63

Product code: 63MP2C100RL0150



### DIMENSIONS

|          |         |
|----------|---------|
| MM (mm)  | 25      |
| KK       | M20x1,5 |
| B (mm)   | 55      |
| PL (mm)  | 24.0    |
| L1 (mm)  | 35      |
| AM (mm)  | 40      |
| VA (mm)  | 4       |
| EE       | G1/2    |
| WH (mm)  | 131.000 |
| L2 (mm)  | 138.0   |
| L3 (mm)  | 0.0     |
| L4 (mm)  | 28.0    |
| ZM (mm)  | -       |
| ZJ (mm)  | 189     |
| VD (mm)  | 7       |
| N (mm)   | 39.5    |
| BG (mm)  | 19.5    |
| RT       | M10     |
| G (mm)   | 8.0     |
| TG (mm)  | 89.0    |
| E (mm)   | 110.0   |
| SW1 (mm) | 22      |
| SW2 (mm) | 6       |

|                     |       |
|---------------------|-------|
| SW3 (mm)            | 5     |
| SW4 (mm)            | 30    |
| Cushion stroke (mm) | 25    |
| DE (mm)             | 83    |
| P (mm)              | 12    |
| R                   | G1/8  |
| LB (mm)             | 18.0  |
| D1 (mm)             | 55.0  |
| D2 (mm)             | 100   |
| D3 (mm)             | 58    |
| A (mm)              | 89.0  |
| G2                  | G1/8  |
| H (mm)              | 58.0  |
| H1 (mm)             | 110.5 |
| L1B (mm)            | 115   |
| L2B (mm)            | 100   |
| L3B (mm)            | 15    |
| L4B (mm)            | 18    |
| L5B (mm)            | 20    |
| L6B (mm)            | 39.0  |
| L7B (mm)            | 69.0  |
| L8B (mm)            | 105   |
| L9B (mm)            | 138   |