

End Lock cylinders - Series 63

Product code: 63MP2C125A0800BLV

Datasheet creation date: 09/03/2025 12:24

Check the most updated document online [click here](#)

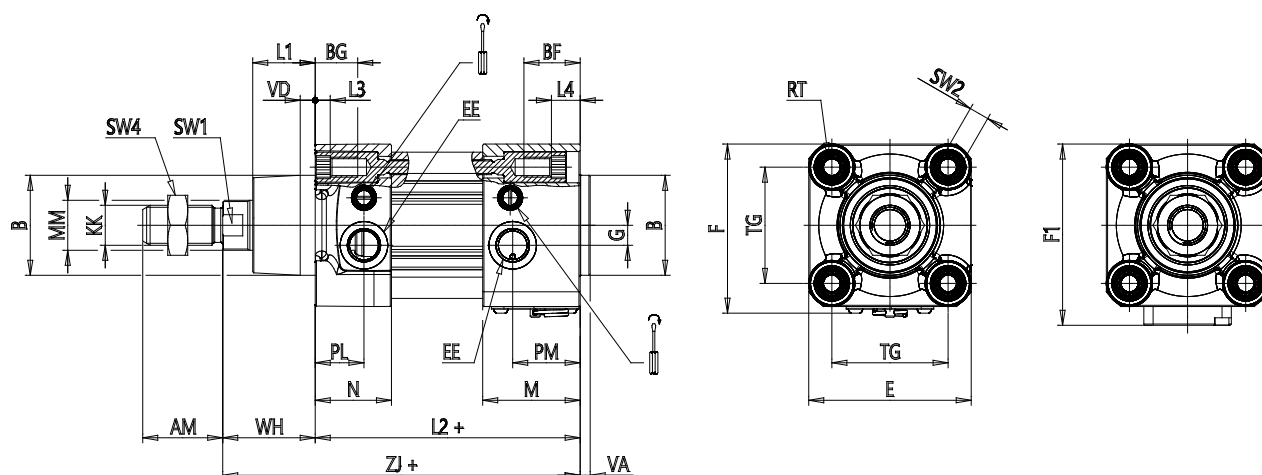


TECHNICAL DATA

Series	63
Version	M = standard, magnetic
Construction	P= profile tube
Operation	2 = double effect
Cushioning	C = cushioning on both sides
Bore (mm)	125
Construction type	A = standard with rod nut
Stroke type	variable
Stroke (mm)	800
Stroke2 (mm)	0
Rod length (mm)	0
Rod length 2 (mm)	0
Lock type	BL = Rear lock
Temperature range	= standard (-20°/+80°C)
Resistance to corrosion	= Standard
Manual unlock type	= manual with M3 screw (not included)
Variants	V = FKM rod seal
Certifications	= Standard

End Lock cylinders - Series 63

Product code: 63MP2C125A0800BLV



DIMENSIONS

MM (mm)	32
KK	M27x2
B (mm)	60
PL (mm)	28.0
PM (mm)	39
L1 (mm)	42
AM (mm)	54
VA (mm)	6
EE	G1/2
WH (mm)	65
L2 (mm)	160
L3 (mm)	6.0
L4 (mm)	6.0
ZJ (mm)	225
VD (mm)	8
N (mm)	44.0
BG (mm)	23.0
M (mm)	54
BF (mm)	23.0
RT (mm)	M12
G (mm)	10.5
TG (mm)	110.0
R (mm)	50

E (mm)	135
F (mm)	137.7
F1 (mm)	142.5
SW1 (mm)	27
SW2 (mm)	12
SW3 (mm)	4
SW4 (mm)	41
Front cushioning (mm)	23
Rear cushioning (mm)	33.0