

## Cylinders ISO 1552 - Series 63

Product code: 63MP6C032A1000

Datasheet creation date: 09/03/2025 13:23

Check the most updated document online [click here](#)

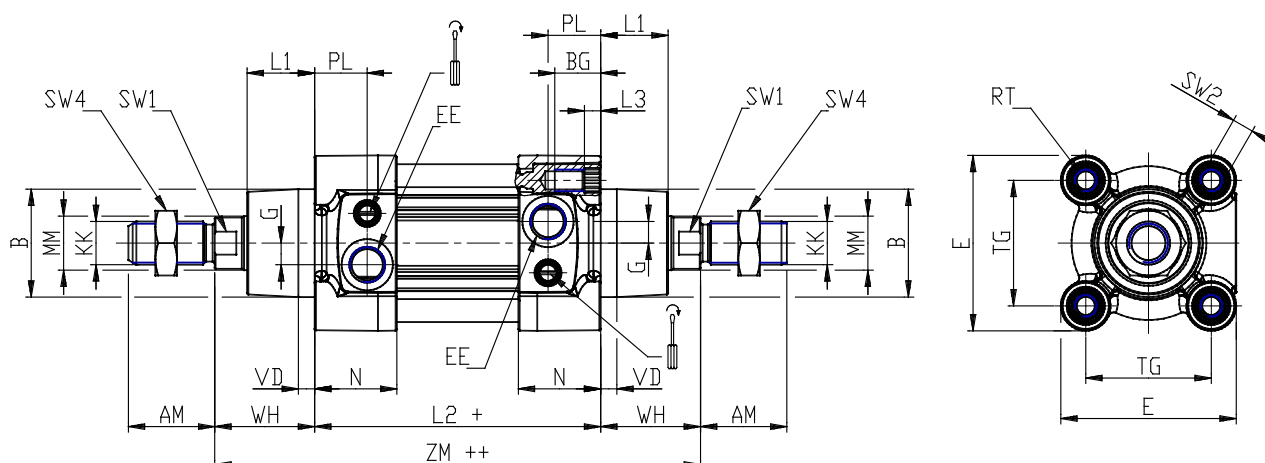


### TECHNICAL DATA

|   |                                    |
|---|------------------------------------|
| <b>Series</b>   | 63                                 |
| <b>Version</b>  | M = standard, magnetic             |
| <b>Costrction</b>   | P = profile tube                   |
| <b>Operation</b>  | 6 = double acting through rod      |
| <b>Cushioning</b>   | C = cushioning on both sides       |
| <b>Bore (mm)</b>  | 32                                 |
| <b>Construction</b>   | A = standard with lock nut for rod |
| <b>Stroke type</b>  | - = variable                       |
| <b>X1 ( stroke cylinders) it has to be smaller of X2 (mm)</b> | 1000                               |
| <b>X2 ( stroke cylinders) it has to be greater of X1 (mm)</b> | 0                                  |
| <b>Temperature Range</b>                                      | = standard (-20°/+80°C)            |
| <b>Resistence to corrosion</b>                                | = standard                         |
| <b>Rod variants</b>   | = standard (male thread rod)       |
| <b>End caps variants</b>                                      | = standard                         |
| <b>Variants of rod seals</b>                                  | = standard                         |
| <b>Rod seal protection variants</b>                           | = standard                         |
| <b>Bellow protection variants</b>                             | = standard                         |
| <b>Rod length (mm)</b>  | 0                                  |
| <b>Other</b>  | = standard                         |
| <b>Certifications</b>   | = standard                         |

## Cylinders ISO 1552 - Series 63

Product code: 63MP6C032A1000



### DIMENSIONS

|          |          |
|----------|----------|
| MM (mm)  | 12       |
| KK       | M10x1,25 |
| B (mm)   | 30       |
| PL (mm)  | 18.5     |
| L1 (mm)  | 18       |
| AM (mm)  | 22       |
| VA (mm)  | -        |
| EE       | G1/8     |
| WH (mm)  | 26.000   |
| L2 (mm)  | 94.0     |
| L3 (mm)  | 5.5      |
| L4 (mm)  | 18.5     |
| ZM (mm)  | 146      |
| ZJ (mm)  | -        |
| VD (mm)  | 5        |
| N (mm)   | 27.0     |
| BG (mm)  | 16.0     |
| RT       | M6       |
| G (mm)   | 5.0      |
| TG (mm)  | 32.5     |
| E (mm)   | 47.0     |
| SW1 (mm) | 10       |
| SW2 (mm) | 6        |

|                     |      |
|---------------------|------|
| SW3 (mm)            | 2    |
| SW4 (mm)            | 17   |
| Cushion stroke (mm) | 19   |
| DE (mm)             | 61   |
| P (mm)              | 25   |
| R                   | M5   |
| LB (mm)             | 36.0 |
| D1 (mm)             | 30.5 |
| D2 (mm)             | 35   |
| D3 (mm)             | 25   |
| A (mm)              | 32.5 |
| G2                  | M5   |
| H (mm)              | 25.5 |
| H1 (mm)             | 46.5 |
| L1B (mm)            | 58   |
| L2B (mm)            | 48   |
| L3B (mm)            | 10   |
| L4B (mm)            | 8    |
| L5B (mm)            | 13   |
| L6B (mm)            | 20.5 |
| L7B (mm)            | 34.0 |
| L8B (mm)            | 45   |
| L9B (mm)            | 94   |