

Mod. 6432 - Fittings Serie 6000 inch

Product code: 6432 02-32

Datasheet creation date: 10/03/2025 09:25

Check the most updated document online [click here](#)

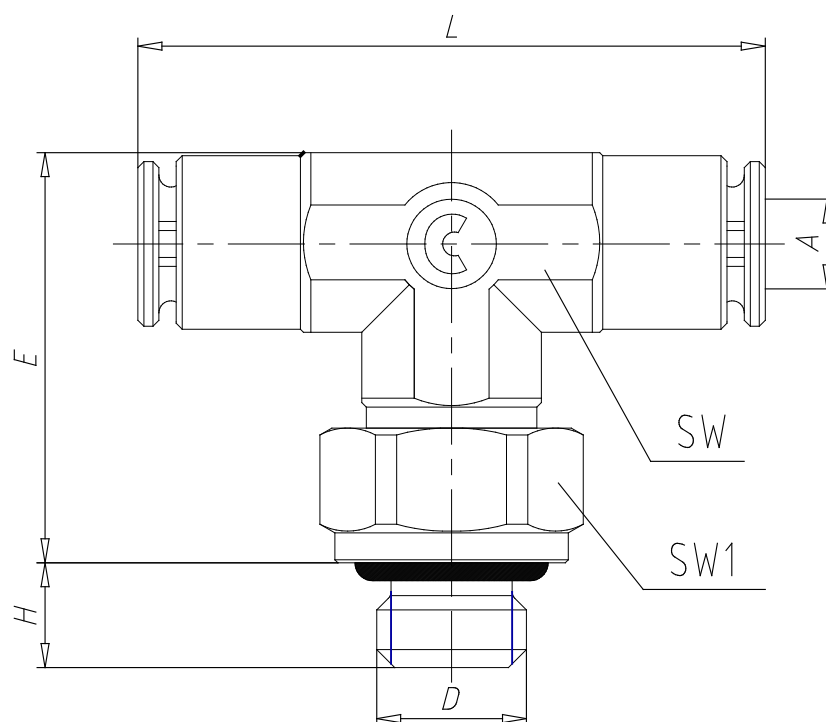


TECHNICAL DATA

Mod.	6432 02-32
------	------------

Mod. 6432 - Fittings Serie 6000 inch

Product code: 6432 02-32



DIMENSIONS

A	1/8
D	10-32
C (INCH)	0.138
E (INCH)	0.531
F (INCH)	0.354
H (INCH)	0.157
L (INCH)	1.378
SW (INCH)	0.315
SW1 (INCH)	0.315