

Mod. 6432 - Series 6000 micro fittings

Product code: 6432 3-M3

Datasheet creation date: 10/03/2025 09:25

Check the most updated document online [click here](#)

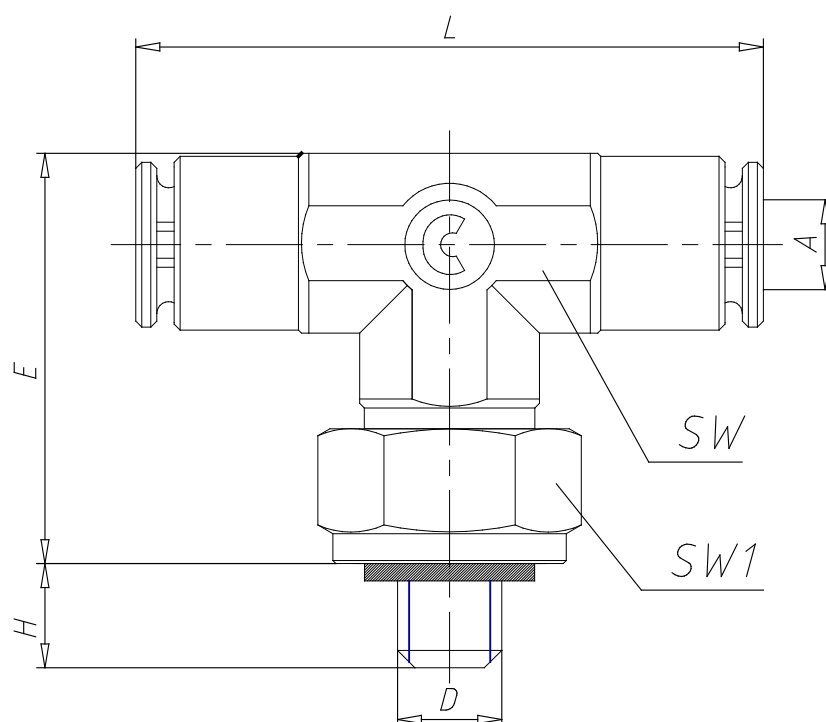


TECHNICAL DATA

Mod.	6432 3-M3
------	-----------

Mod. 6432 - Series 6000 micro fittings

Product code: 6432 3-M3



DIMENSIONS

A (mm)	3
D	M3
E (mm)	13.7
H (mm)	2.5
L (mm)	21.4
SW (mm)	6
SW1 (mm)	6
O - Ring	with Mod. 2661 assembled