

## Mod. 6440 - Fittings Serie 6000 inch

Product code: 6440 06-08

Datasheet creation date: 10/03/2025 09:26

Check the most updated document online [click here](#)

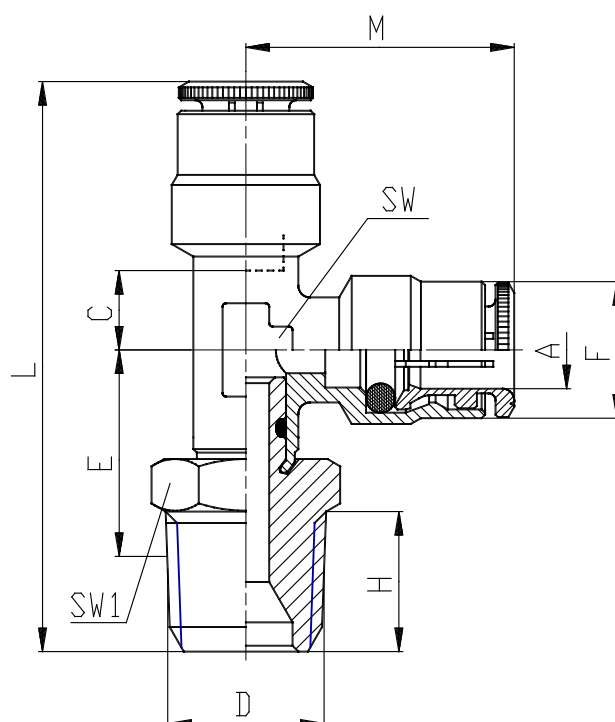


### TECHNICAL DATA

Mod.	6440 06-08
------	------------

## Mod. 6440 - Fittings Serie 6000 inch

Product code: 6440 06-08



### DIMENSIONS

<b>A</b>	3/8
<b>D</b>	1/2
<b>C (INCH)</b>	0.236
<b>E (INCH)</b>	0.807
<b>F (INCH)</b>	0.650
<b>H (INCH)</b>	0.610
<b>L (INCH)</b>	12.331
<b>SW (INCH)</b>	0.512
<b>SW1 (INCH)</b>	0.866