

Mod. 6440 - Fittings Serie 6000 inch

Product code: 6440 08-04

Datasheet creation date: 10/03/2025 09:25

Check the most updated document online [click here](#)

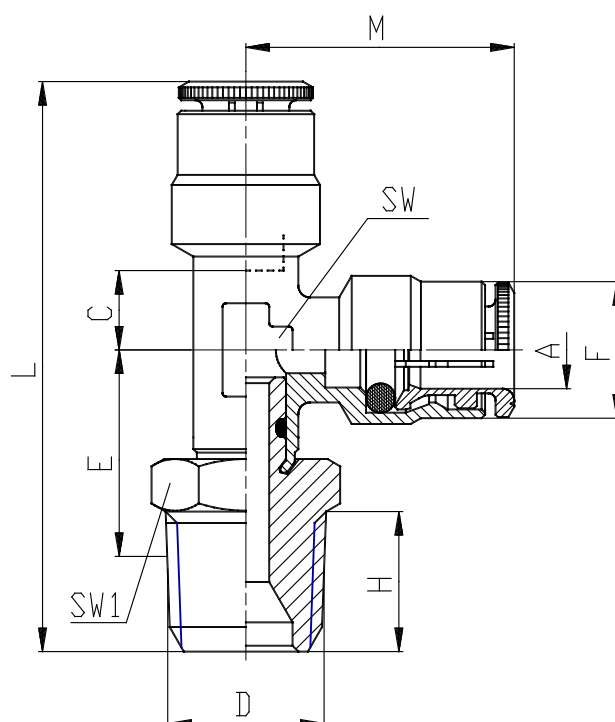


■ TECHNICAL DATA

Mod.	6440 08-04
------	------------

Mod. 6440 - Fittings Serie 6000 inch

Product code: 6440 08-04



DIMENSIONS

A	1/2
D	1/4
C (INCH)	0.287
E (INCH)	0.827
F (INCH)	0.776
H (INCH)	0.472
L (INCH)	9.370
SW (INCH)	0.591
SW1 (INCH)	0.669