

Mod. 6452 - Series 6000 micro fittings

Product code: 6452 3-M5

Datasheet creation date: 10/03/2025 09:27

Check the most updated document online [click here](#)

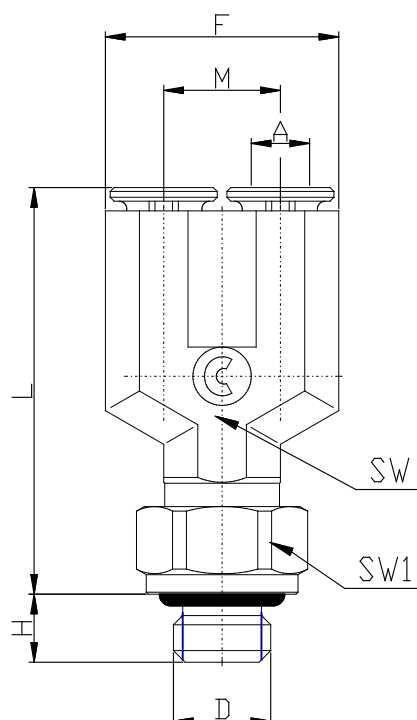


■ TECHNICAL DATA

Mod.	6452 3-M5
------	-----------

Mod. 6452 - Series 6000 micro fittings

Product code: 6452 3-M5



DIMENSIONS

A (mm)	3
D	M5
F (mm)	12
H (mm)	3.5
L (mm)	20.9
M (mm)	6
SW (mm)	6
SW1 (mm)	8
O - Ring	with O - Ring assembled