

Mod. 6463 - Fittings Serie 6000 inch

Product code: 6463 04-02

Datasheet creation date: 10/03/2025 09:27

Check the most updated document online [click here](#)

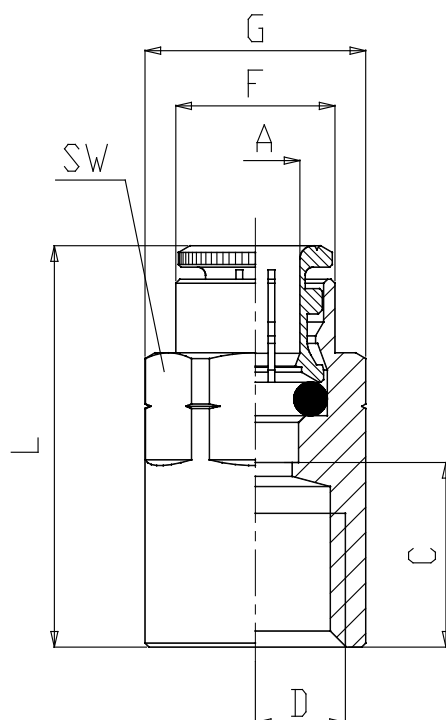


■ TECHNICAL DATA

Mod.	6463 04-02
------	------------

Mod. 6463 - Fittings Serie 6000 inch

Product code: 6463 04-02



DIMENSIONS

A	1/4
D	1/8
C (INCH)	0.386
F (INCH)	0.461
G (INCH)	0.512
H (INCH)	0.197
L (INCH)	1.024
SW (INCH)	0.472