

## Mod. 6463 - Fittings Serie 6000 inch

Product code: 6463 53-02

Datasheet creation date: 10/03/2025 09:27

Check the most updated document online [click here](#)

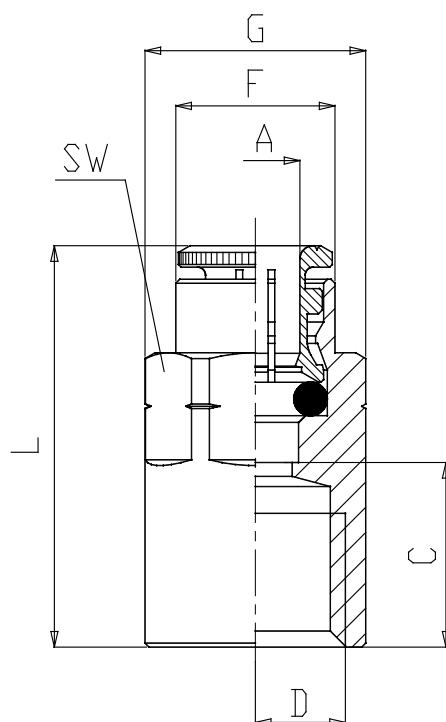


### ■ TECHNICAL DATA

Mod.	6463 53-02
------	------------

## Mod. 6463 - Fittings Serie 6000 inch

Product code: 6463 53-02



### DIMENSIONS

<b>A</b>	5/32
<b>D</b>	1/8
<b>C (INCH)</b>	0.394
<b>F (INCH)</b>	0.354
<b>G (INCH)</b>	0.512
<b>H (INCH)</b>	0.197
<b>L (INCH)</b>	0.945
<b>SW (INCH)</b>	0.472