

## 3/2-way solenoid valve - Mod. 638/648

Product code: 648-150-A63

Datasheet creation date: 10/03/2025 11:26

Check the most updated document online [click here](#)

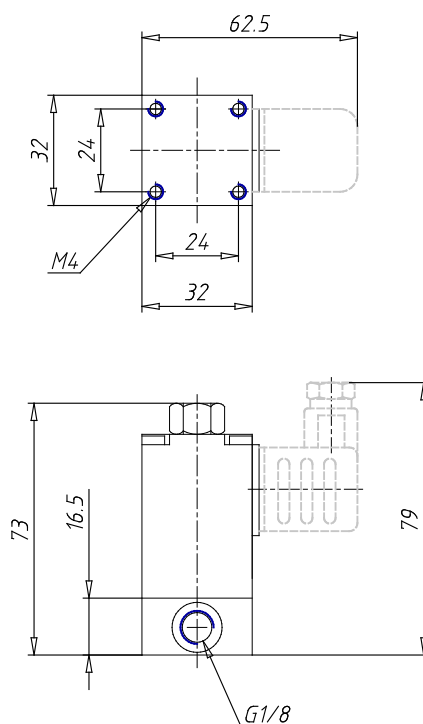


### TECHNICAL DATA

<b>Cod.</b>	648-150-A6
<b>Voltage</b>	3 = 24 V DC - 10 W
<b>Version</b>	= Standard

## 3/2-way solenoid valve - Mod. 638/648

Product code: 648-150-A63



### DIMENSIONS

Thread port	G1/8
Function	3/2 N.A.
Orifice (Ø mm)	2
Qn (Nl/mm)	80
Pressure min-max (bar)	0÷8