

## Mod. 6500 - Fittings Serie 6000 inch

Product code: 6500 04-02

Datasheet creation date: 10/03/2025 09:27

Check the most updated document online [click here](#)

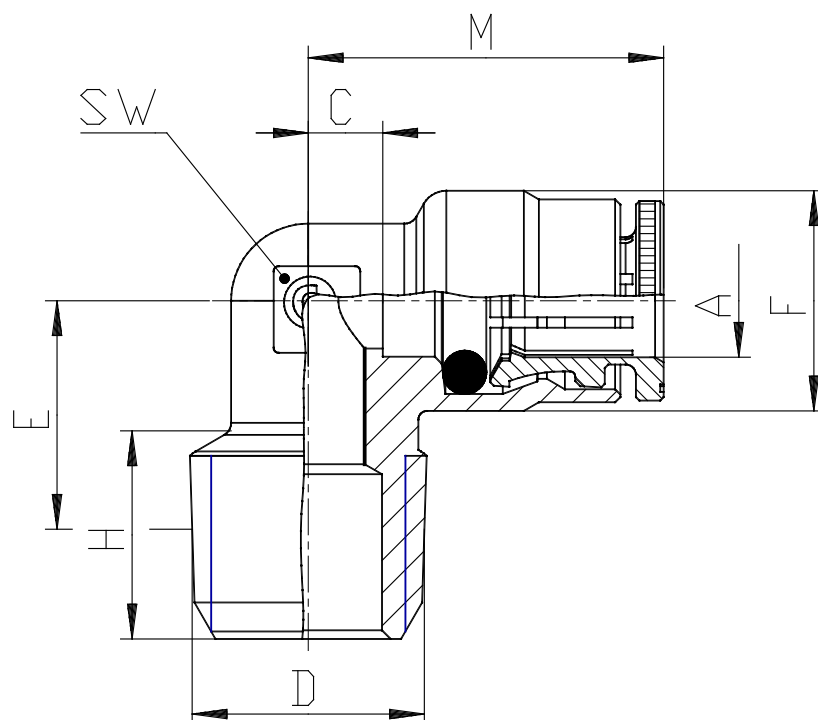


### TECHNICAL DATA

Mod.	6500 04-02
------	------------

## Mod. 6500 - Fittings Serie 6000 inch

Product code: 6500 04-02



### DIMENSIONS

<b>A</b>	1/4
<b>D</b>	1/8
<b>C (INCH)</b>	0.169
<b>E (INCH)</b>	0.571
<b>F (INCH)</b>	0.500
<b>H (INCH)</b>	0.512
<b>M (INCH)</b>	0.807
<b>SW (INCH)</b>	0.354