

Mod. 6510 - Fittings Serie 6000 inch

Product code: 6510 02-02

Datasheet creation date: 10/03/2025 09:28

Check the most updated document online [click here](#)

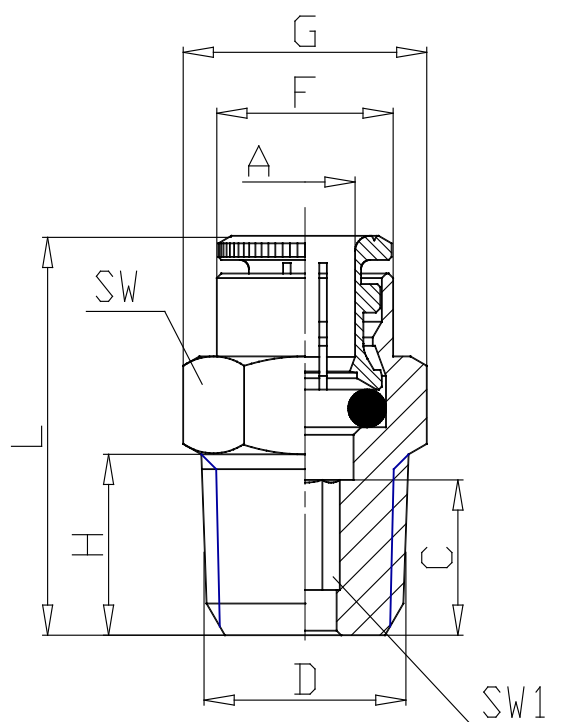


TECHNICAL DATA

Mod.	6510 02-02
------	------------

Mod. 6510 - Fittings Serie 6000 inch

Product code: 6510 02-02



DIMENSIONS

A	1/8
D	1/8
C (INCH)	0.197
F (INCH)	0.346
G (INCH)	0.551
H (INCH)	0.315
L (INCH)	0.748
SW (INCH)	0.472
SW1 (INCH)	0.098
ND (INCH)	0.405