

Mod. 6510 - Fittings Serie 6000 inch

Product code: 6510 05-04

Datasheet creation date: 10/03/2025 09:28

Check the most updated document online [click here](#)

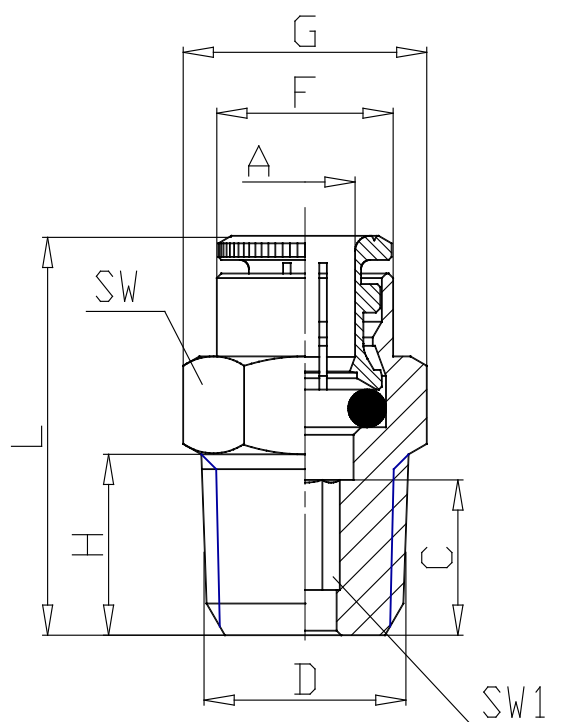


■ TECHNICAL DATA

Mod.	6510 05-04
------	------------

Mod. 6510 - Fittings Serie 6000 inch

Product code: 6510 05-04



DIMENSIONS

A	5/16
D	1/4
C (INCH)	0.413
F (INCH)	0.539
G (INCH)	0.630
H (INCH)	0.472
L (INCH)	1.102
SW (INCH)	0.551
SW1 (INCH)	0.236
ND (INCH)	0.540