

## Mod. 6520 - Fittings Serie 6000 inch

Product code: 6520 02-02

Datasheet creation date: 10/03/2025 09:30

Check the most updated document online [click here](#)

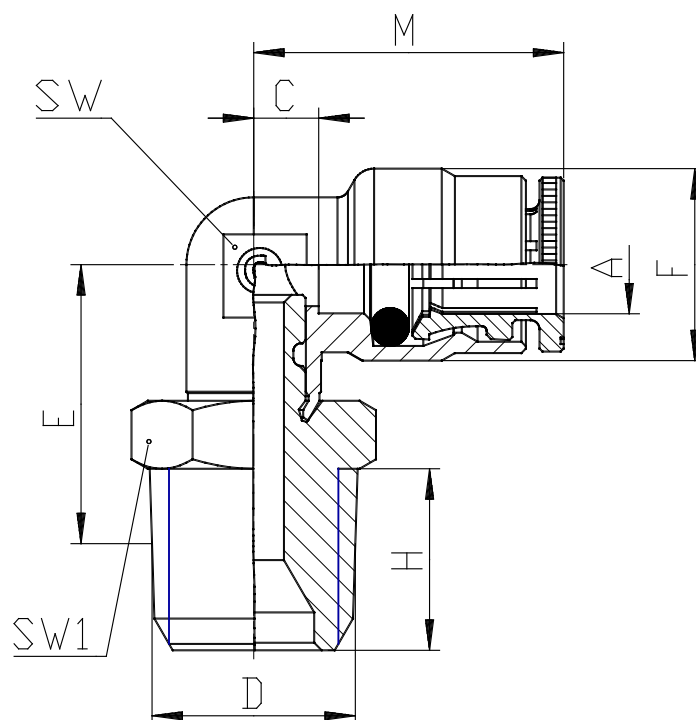


### TECHNICAL DATA

|      |            |
|------|------------|
| Mod. | 6520 02-02 |
|------|------------|

## Mod. 6520 - Fittings Serie 6000 inch

Product code: 6520 02-02



### DIMENSIONS

|                   |       |
|-------------------|-------|
| <b>A</b>          | 1/8   |
| <b>D</b>          | 1/8   |
| <b>C (INCH)</b>   | 0.138 |
| <b>E (INCH)</b>   | 0.610 |
| <b>F (INCH)</b>   | 0.354 |
| <b>H (INCH)</b>   | 0.315 |
| <b>M (INCH)</b>   | 0.689 |
| <b>SW (INCH)</b>  | 0.315 |
| <b>SW1 (INCH)</b> | 0.472 |