

## Mod. 6520 - Fittings Serie 6000 inch

Product code: 6520 53-02

Datasheet creation date: 10/03/2025 09:30

Check the most updated document online [click here](#)

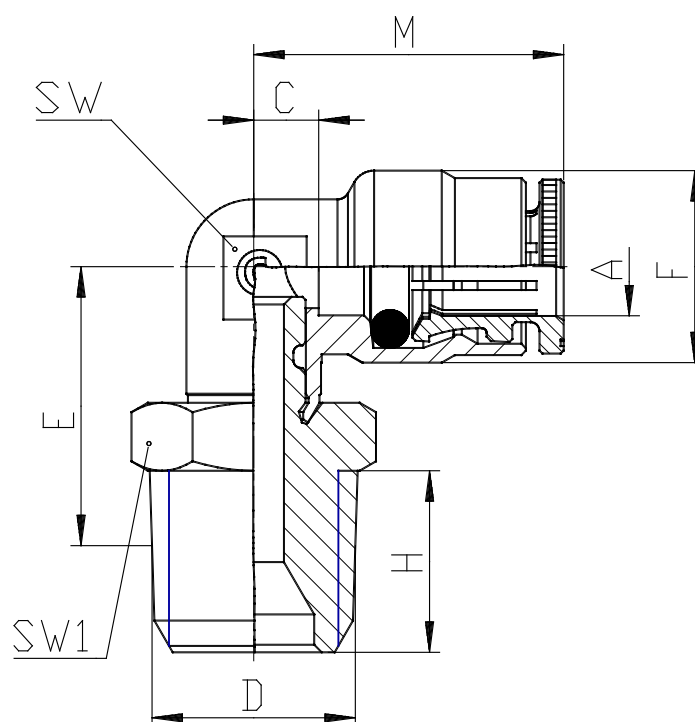


### TECHNICAL DATA

Mod.	6520 53-02
------	------------

## Mod. 6520 - Fittings Serie 6000 inch

Product code: 6520 53-02



### DIMENSIONS

<b>A</b>	5/32
<b>D</b>	1/8
<b>C (INCH)</b>	0.138
<b>E (INCH)</b>	0.591
<b>F (INCH)</b>	0.354
<b>H (INCH)</b>	0.315
<b>M (INCH)</b>	0.689
<b>SW (INCH)</b>	0.315
<b>SW1 (INCH)</b>	0.472