

Mod. 6522 - Series 6000 micro fittings

Product code: 6522 3-M5

Datasheet creation date: 10/03/2025 09:31

Check the most updated document online [click here](#)

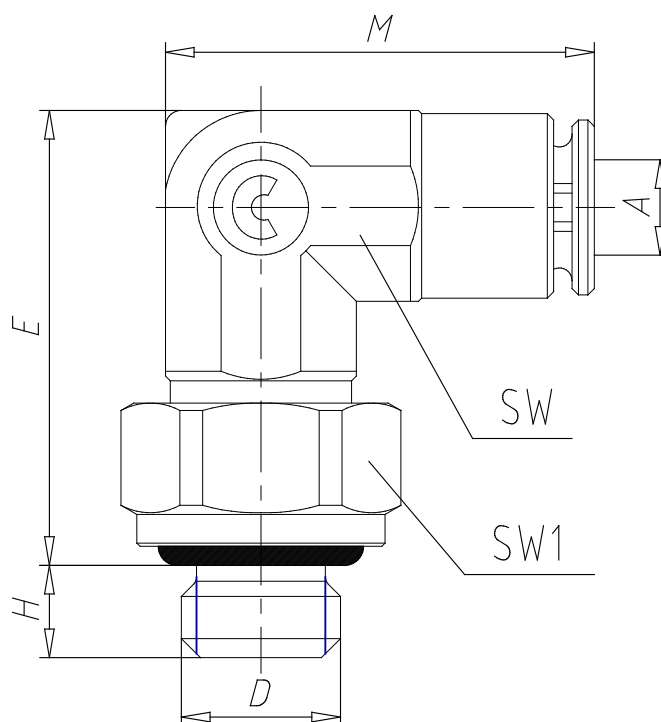


TECHNICAL DATA

Mod.	6522 3-M5
------	-----------

Mod. 6522 - Series 6000 micro fittings

Product code: 6522 3-M5



DIMENSIONS

A (mm)	3
D	M5
E (mm)	13.7
H (mm)	3.5
M (mm)	13.7
SW (mm)	6
SW1 (mm)	8
O - Ring	with O - Ring assembled