

## Mod. 6550 - Series 6000 micro fittings

Product code: 6550 3

Datasheet creation date: 10/03/2025 09:33

Check the most updated document online [click here](#)

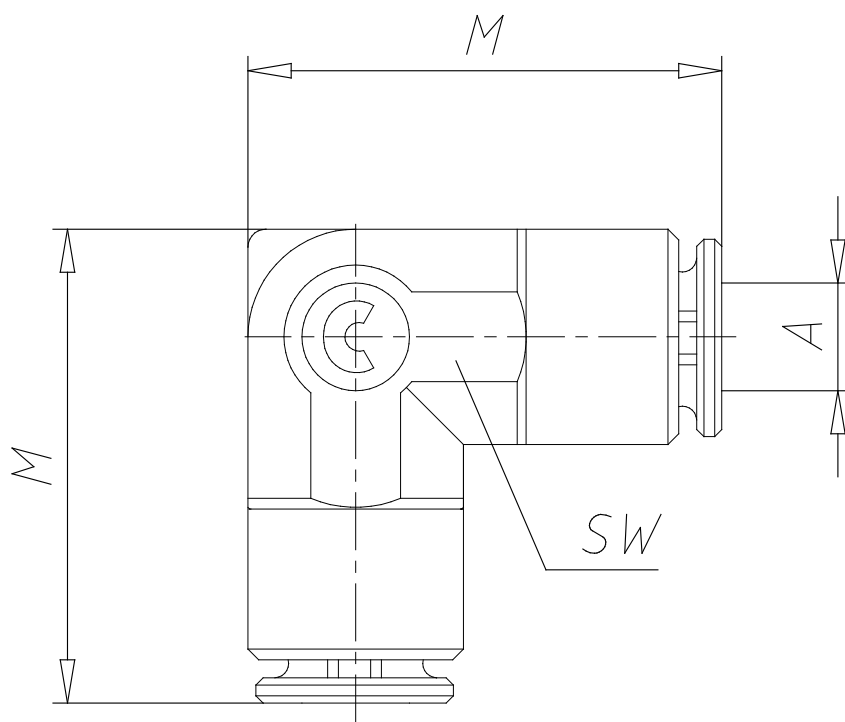


### TECHNICAL DATA

Mod.	6550 3
------	--------

## Mod. 6550 - Series 6000 micro fittings

Product code: 6550 3



### **DIMENSIONS**

<b>A (mm)</b>	<b>3</b>
<b>M (mm)</b>	<b>13.7</b>
<b>SW (mm)</b>	<b>6</b>