

Mod. 6580 union - Series 6000 fittings

Product code: 6580 4

Datasheet creation date: 10/03/2025 09:34

Check the most updated document online [click here](#)

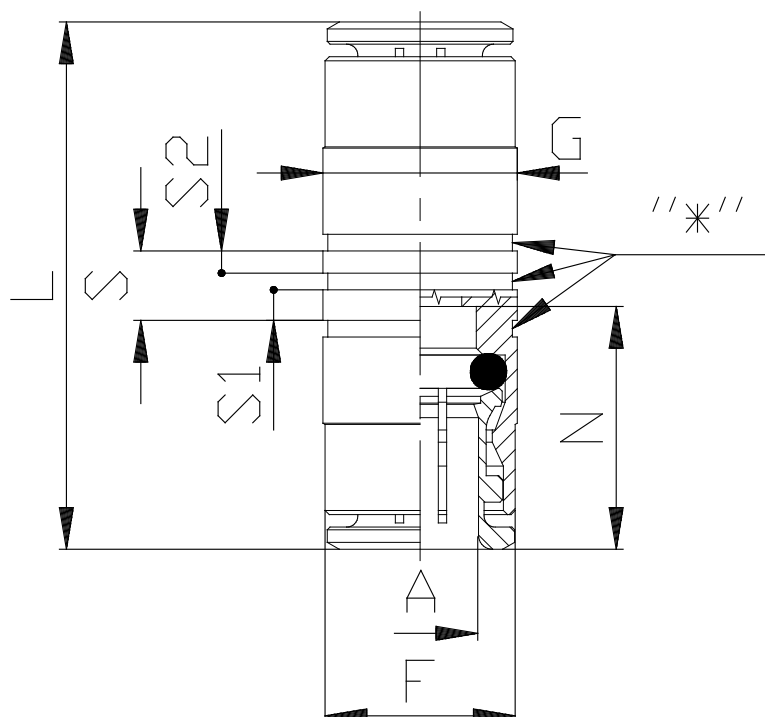


■ TECHNICAL DATA

| | |
|------|--------|
| Mod. | 6580 4 |
|------|--------|

Mod. 6580 union - Series 6000 fittings

Product code: 6580 4



DIMENSIONS

| | |
|----------------|------|
| A (mm) | 4 |
| F (mm) | 8.4 |
| G (mm) | 9 |
| L (mm) | 29.0 |
| N (mm) | 14.0 |
| S (mm) | 5.0 |
| S1 (mm) | 2.2 |
| S2 (mm) | 1.6 |