

## Mod. 6580 union - Series 6000 fittings

Product code: 6580 5

Datasheet creation date: 10/03/2025 09:34

Check the most updated document online [click here](#)

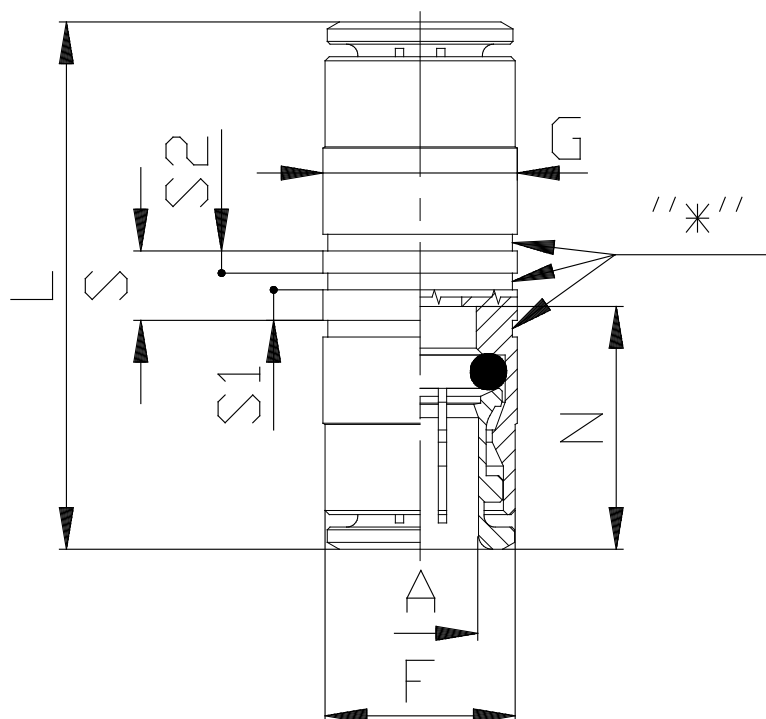


### ■ TECHNICAL DATA

Mod.	6580 5
------	--------

## Mod. 6580 union - Series 6000 fittings

Product code: 6580 5



### DIMENSIONS

<b>A (mm)</b>	5
<b>F (mm)</b>	9.4
<b>G (mm)</b>	10
<b>L (mm)</b>	31.0
<b>N (mm)</b>	15.0
<b>S (mm)</b>	5.0
<b>S1 (mm)</b>	2.2
<b>S2 (mm)</b>	1.6