

Mod. 6590 - Series 6000 fittings

Product code: 6590 14

Datasheet creation date: 10/03/2025 09:34

Check the most updated document online [click here](#)

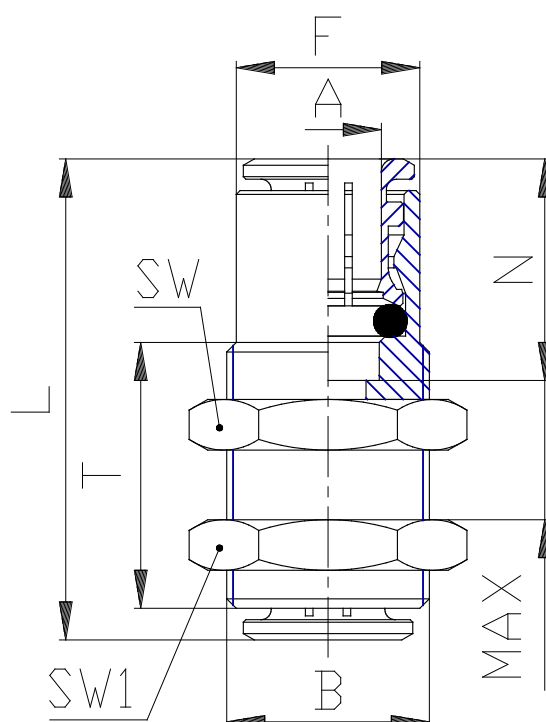


TECHNICAL DATA

Mod.	6590 14
------	---------

Mod. 6590 - Series 6000 fittings

Product code: 6590 14



DIMENSIONS

A (mm)	14
B	M22x1
F (mm)	20.5
L (mm)	41.5
N (mm)	20.2
SW (mm)	27
SW1 (mm)	27
T (mm)	30.0