

Mod. 6590-OX1 - Series OX1 fittings

Product code: 6590 6-OX1

Datasheet creation date: 10/03/2025 09:35

Check the most updated document online [click here](#)

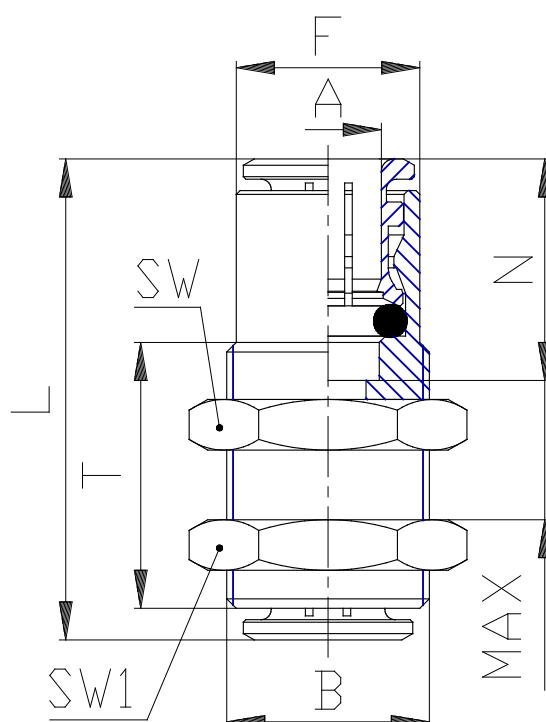


TECHNICAL DATA

Mod.	6590 6-OX1
------	------------

Mod. 6590-OX1 - Series OX1 fittings

Product code: 6590 6-OX1



DIMENSIONS

A (mm)	6
B (mm)	M14x1
F (mm)	12.5
L (mm)	33
N (mm)	16
MAX (mm)	10.5
SW (mm)	17
SW1 (mm)	17
T (mm)	20
Weight (g)	28