

Mod. 6590 - Series 6000 fittings

Product code: 6590 8

Datasheet creation date: 10/03/2025 09:35

Check the most updated document online [click here](#)

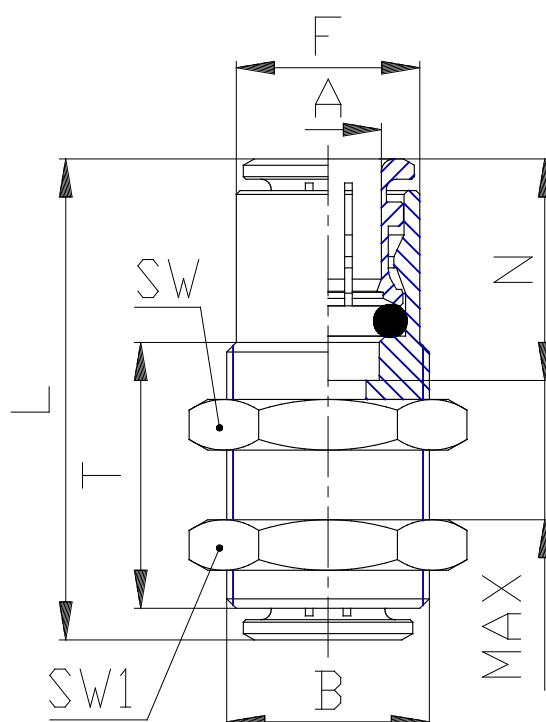


TECHNICAL DATA

Mod.	6590 8
------	--------

Mod. 6590 - Series 6000 fittings

Product code: 6590 8



DIMENSIONS

A (mm)	8
B	M16x1
F (mm)	14.5
L (mm)	36.0
N (mm)	17.5
SW (mm)	19
SW1 (mm)	19
T (mm)	21.0