

Mod. 6621 - Series 6000 micro fittings

Product code: 6621 3-M5

Datasheet creation date: 10/03/2025 09:36

Check the most updated document online [click here](#)

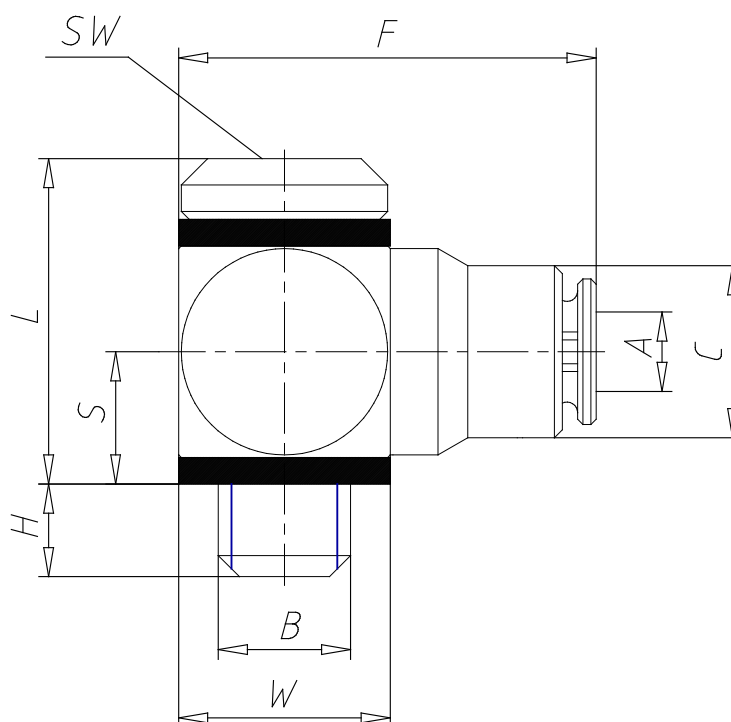


TECHNICAL DATA

Mod.	6621 3-M5
------	-----------

Mod. 6621 - Series 6000 micro fittings

Product code: 6621 3-M5



DIMENSIONS

A (mm)	3
B	M5
C (mm)	6.5
F (mm)	16.0
H (mm)	3.2
L (mm)	11.9
S (mm)	4.8
W (mm)	8
SW (mm)	2.0