

Fittings for external pilot supply - Mod. 6625 3-M5

Product code: 6625 3-M5

Datasheet creation date: 10/03/2025 09:36

Check the most updated document online [click here](#)

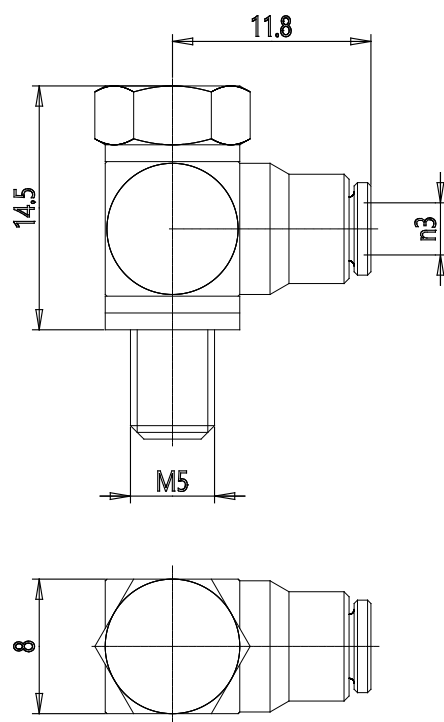


TECHNICAL DATA

Mod.	6625 3-M5
------	-----------

Fittings for external pilot supply - Mod. 6625 3-M5

Product code: 6625 3-M5



DIMENSIONS

Mod.	6625 3-M5
-------------	-----------