

## Rotary cylinders - Series 69

Product code: 69-040/180-F

Datasheet creation date: 07/03/2025 17:48

Check the most updated document online [click here](#)

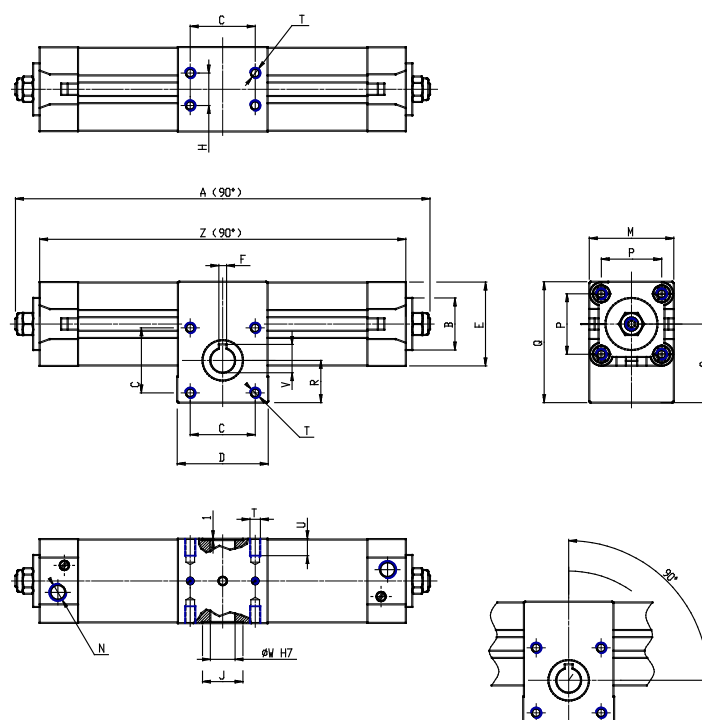


### TECHNICAL DATA

|                |                 |
|----------------|-----------------|
| Series         | 69              |
| Diameter (mm)  | 40              |
| Rotation (°)   | 180             |
| Pinion         | F=female pinion |
| Seals material | = NBR           |

## Rotary cylinders - Series 69

Product code: 69-040/180-F



### DIMENSIONS

|            |       |
|------------|-------|
| A (mm)     | 351.5 |
| B d11 (mm) | 35    |
| C (mm)     | 40    |
| D (mm)     | 60    |
| E (mm)     | 55.0  |
| F (mm)     | 5     |
| G (mm)     | 14    |
| H (mm)     | 22    |
| J (mm)     | 25    |
| K (mm)     | 25    |
| L (mm)     | 31    |
| M (mm)     | 60    |
| N          | G1/4  |
| P (mm)     | 38.0  |
| Q (mm)     | 82.0  |
| R (mm)     | 30.0  |
| S (mm)     | 54.5  |
| T          | M6    |
| U (mm)     | 10    |
| V (mm)     | 16.3  |
| W (mm)     | 14    |
| Y          | M5    |
| X (mm)     | 12.5  |
| Z (mm)     | 319.5 |