

## Rotary cylinders - Series 69

Product code: 69-080/145-M

Datasheet creation date: 07/03/2025 17:50

Check the most updated document online [click here](#)

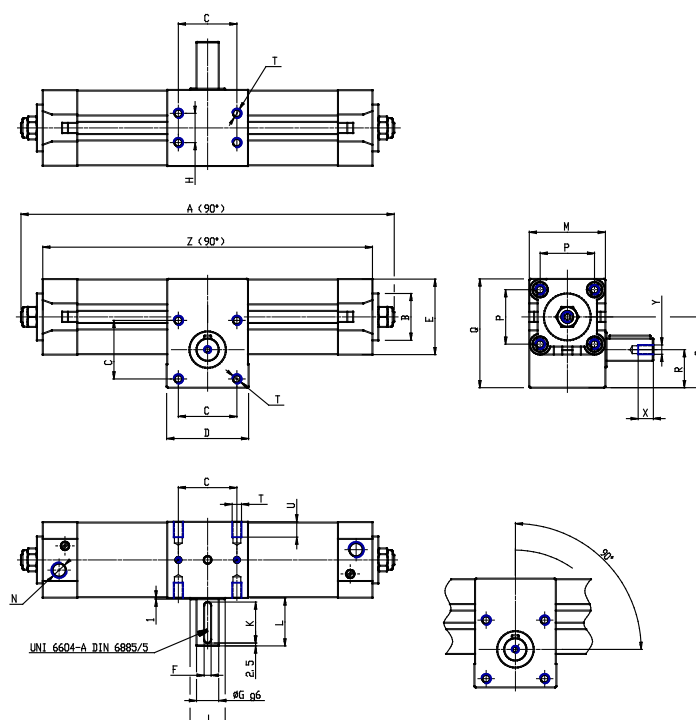


### TECHNICAL DATA

<b>Series</b>	69
<b>Diameter (mm)</b>	80
<b>Rotation (°)</b>	145
<b>Pinion</b>	M=male pinion
<b>Seals material</b>	= NBR

## Rotary cylinders - Series 69

Product code: 69-080/145-M



### DIMENSIONS

<b>A (mm)</b>	503.5
<b>B d11 (mm)</b>	45
<b>C (mm)</b>	80
<b>D (mm)</b>	99
<b>E (mm)</b>	93.0
<b>F (mm)</b>	8
<b>G (mm)</b>	28
<b>H (mm)</b>	50
<b>J (mm)</b>	45
<b>K (mm)</b>	45
<b>L (mm)</b>	51
<b>M (mm)</b>	99
<b>N</b>	G3/8
<b>P (mm)</b>	72.0
<b>Q (mm)</b>	142.0
<b>R (mm)</b>	50.0
<b>S (mm)</b>	93.5
<b>T</b>	M10
<b>U (mm)</b>	16
<b>V (mm)</b>	27.3
<b>W (mm)</b>	24
<b>Y</b>	M8
<b>X (mm)</b>	19.0
<b>Z (mm)</b>	464.5