

## Rotary cylinders - Series 69

Product code: 69-080/180-FW

Datasheet creation date: 07/03/2025 17:50

Check the most updated document online [click here](#)

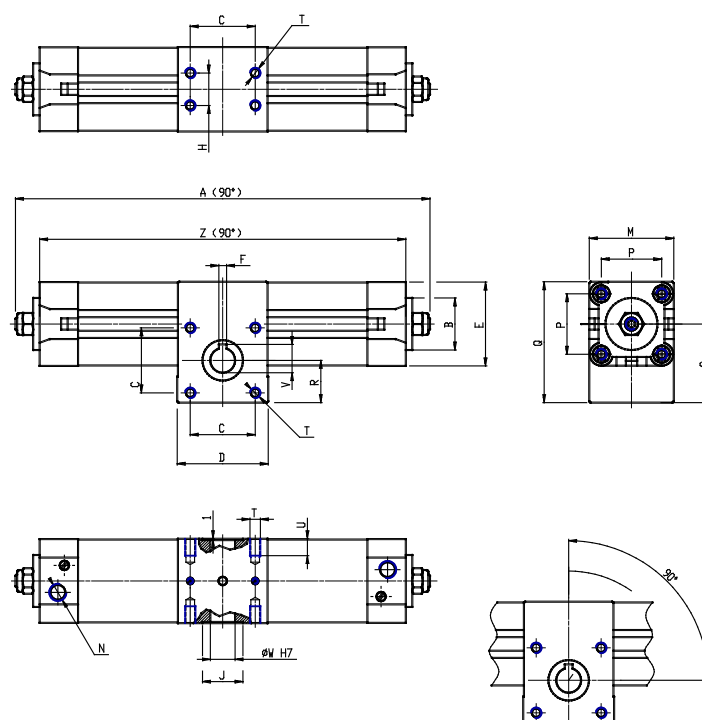


### TECHNICAL DATA

<b>Series</b>	69
<b>Diameter (mm)</b>	80
<b>Rotation (°)</b>	180
<b>Pinion</b>	F=female pinion
<b>Seals material</b>	W = all FKM seals +130°C

## Rotary cylinders - Series 69

Product code: 69-080/180-FW



### DIMENSIONS

A (mm)	542.0
B d11 (mm)	45
C (mm)	80
D (mm)	99
E (mm)	93.0
F (mm)	8
G (mm)	28
H (mm)	50
J (mm)	45
K (mm)	45
L (mm)	51
M (mm)	99
N	G3/8
P (mm)	72.0
Q (mm)	142.0
R (mm)	50.0
S (mm)	93.5
T	M10
U (mm)	16
V (mm)	27.3
W (mm)	24
Y	M8
X (mm)	19.0
Z (mm)	503.0