

Rotary cylinders - Series 69

Product code: 69-100/130-F

Datasheet creation date: 07/03/2025 17:45

Check the most updated document online [click here](#)

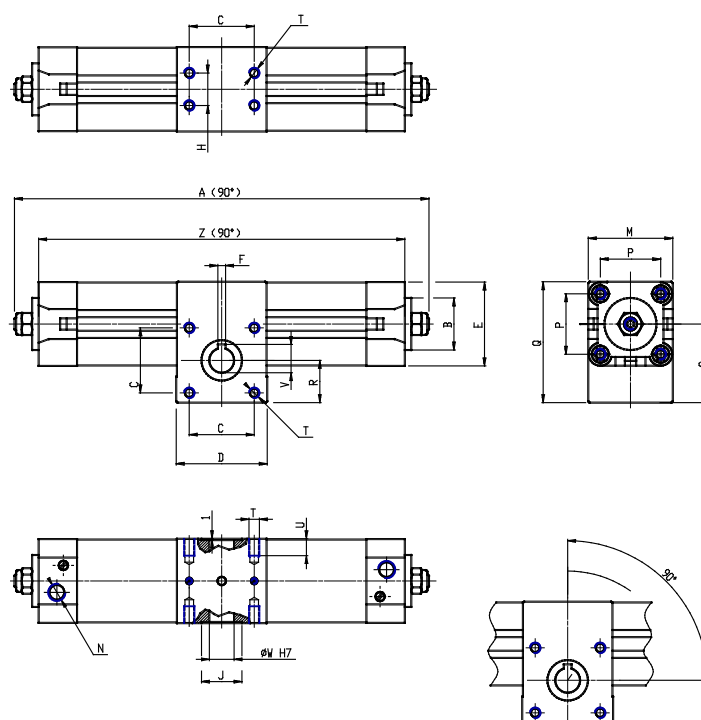


TECHNICAL DATA

| | |
|-----------------------|-----------------|
| Series | 69 |
| Diameter (mm) | 100 |
| Rotation (°) | 130 |
| Pinion | F=female pinion |
| Seals material | = NBR |

Rotary cylinders - Series 69

Product code: 69-100/130-F



DIMENSIONS

| | |
|------------|-------|
| A (mm) | 519.6 |
| B d11 (mm) | 55 |
| C (mm) | 80 |
| D (mm) | 115 |
| E (mm) | 110.0 |
| F (mm) | 8 |
| G (mm) | 38 |
| H (mm) | 60 |
| J (mm) | 50 |
| K (mm) | 45 |
| L (mm) | 51 |
| M (mm) | 115 |
| N | G1/2 |
| P (mm) | 89.0 |
| Q (mm) | 156.5 |
| R (mm) | 54.0 |
| S (mm) | 99.0 |
| T | M10 |
| U (mm) | 16 |
| V (mm) | 31.3 |
| W (mm) | 28 |
| Y | M10 |
| X (mm) | 22.0 |
| Z (mm) | 481.6 |