

## Rotary cylinders - Series 69

Product code: 69-125/125-F

Datasheet creation date: 07/03/2025 17:46

Check the most updated document online [click here](#)

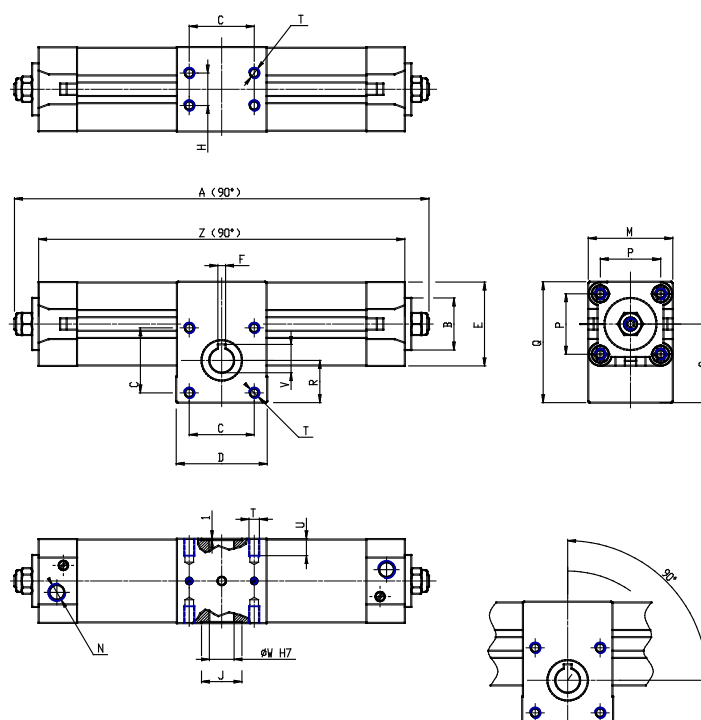


### TECHNICAL DATA

<b>Series</b>	69
<b>Diameter (mm)</b>	125
<b>Rotation (°)</b>	125
<b>Pinion</b>	F=female pinion
<b>Seals material</b>	= NBR

## Rotary cylinders - Series 69

Product code: 69-125/125-F



### DIMENSIONS

<b>A (mm)</b>	600.3
<b>B d11 (mm)</b>	60
<b>C (mm)</b>	90
<b>D (mm)</b>	125
<b>E (mm)</b>	135.0
<b>F (mm)</b>	8
<b>G (mm)</b>	38
<b>H (mm)</b>	70
<b>J (mm)</b>	60
<b>K (mm)</b>	45
<b>L (mm)</b>	51
<b>M (mm)</b>	140
<b>N</b>	G1/2
<b>P (mm)</b>	110.0
<b>Q (mm)</b>	188.0
<b>R (mm)</b>	60.0
<b>S (mm)</b>	118.0
<b>T</b>	M12
<b>U (mm)</b>	20
<b>V (mm)</b>	31.3
<b>W (mm)</b>	28
<b>Y</b>	M10
<b>X (mm)</b>	22.0
<b>Z (mm)</b>	556.3