

## Positioning feedback cylinders ISO 15552 - Series 6PF

Product code: 6PF3P050A0350P

Datasheet creation date: 09/03/2025 22:51

Check the most updated document online [click here](#)

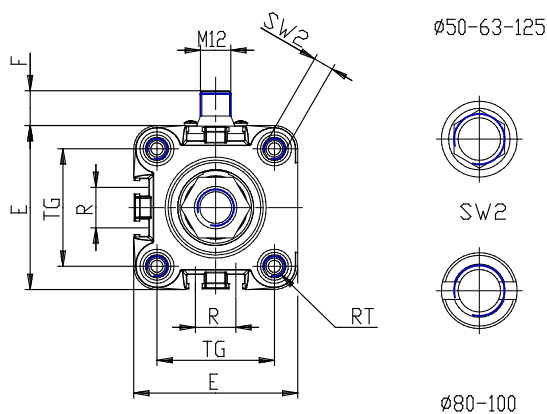
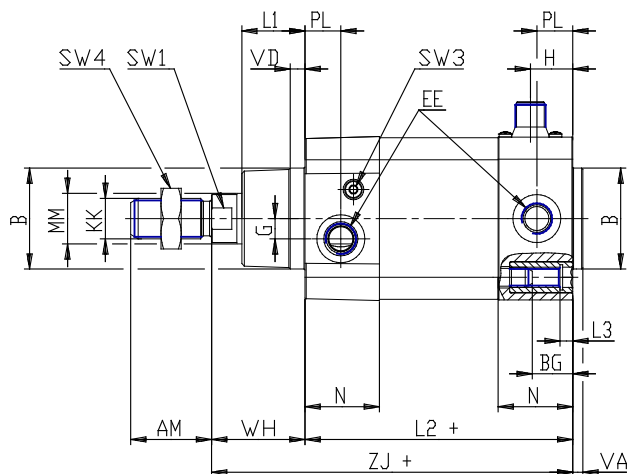


### TECHNICAL DATA

|                             |  |
|-----------------------------|--|
| <b>Series</b>               | 6PF  |
| <b>Diameter (mm)</b>        | 50   |
| <b>Operation</b>            | 3 = double-acting low friction, no cushion   |
| <b>Materials</b>            | P = chromed steel rod, anodized aluminum profile tube, NBR gaskets, zinc plated steel nuts and tie rods and NBR rod gasket |
| <b>Stroke type</b>          | A = standard with lock nut for rod   |
| <b>Stroke (mm)</b>          | 350  |
| <b>extended piston (mm)</b> | 0  |
| <b>Versions</b>             | P = PU rod seal  |
| <b>Atex</b>                 | No Atex  |

## Positioning feedback cylinders ISO 15552 - Series 6PF

Product code: 6PF3P050A0350P



### DIMENSIONS

|          |         |
|----------|---------|
| MM (mm)  | 20      |
| KK       | M16x1,5 |
| B (mm)   | 40      |
| PL (mm)  | 15.0    |
| L1 (mm)  | 25      |
| AM (mm)  | 32      |
| VA (mm)  | 4       |
| EE       | G1/4    |
| WH (mm)  | 37      |
| L2 (mm)  | 106     |
| L3 (mm)  | 5       |
| ZJ (mm)  | 143     |
| VD (mm)  | 6       |
| N (mm)   | 29.5    |
| BG (mm)  | 16.0    |
| RT       | M8      |
| F (mm)   | 14      |
| G (mm)   | 8.0     |
| H (mm)   | 17      |
| TG (mm)  | 46.5    |
| R (mm)   | 16      |
| E (mm)   | 64.5    |
| SW1 (mm) | 17      |

|                     |    |
|---------------------|----|
| SW2 (mm)            | 8  |
| SW3 (mm)            | 3  |
| SW4 (mm)            | 24 |
| Cushion stroke (mm) | 22 |