

## Positioning feedback cylinders ISO 15552 - Series 6PF

Product code: 6PF3P125A0450

Datasheet creation date: 09/03/2025 22:50

Check the most updated document online [click here](#)

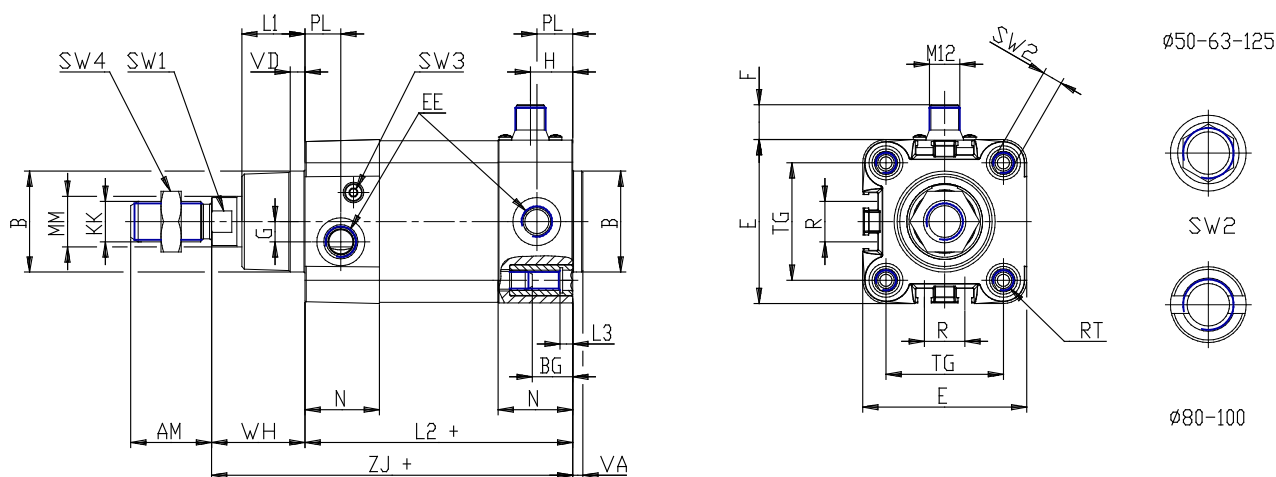


### TECHNICAL DATA

<b>Series</b>	6PF
<b>Diameter (mm)</b>	125
<b>Operation</b>	3 = double-acting low friction, no cushion
<b>Materials</b>	P = chromed steel rod, anodized aluminum profile tube, NBR gaskets, zinc plated steel nuts and tie rods and NBR rod gasket
<b>Stroke type</b>	A = standard with lock nut for rod
<b>Stroke (mm)</b>	450
<b>extended piston (mm)</b>	0
<b>Versions</b>	-
<b>Atex</b>	No Atex

## Positioning feedback cylinders ISO 15552 - Series 6PF

Product code: 6PF3P125A0450



### DIMENSIONS

<b>MM (mm)</b>	32
<b>KK</b>	M27x2
<b>B (mm)</b>	60
<b>PL (mm)</b>	23.5
<b>L1 (mm)</b>	42
<b>AM (mm)</b>	54
<b>VA (mm)</b>	6
<b>EE</b>	G1/2
<b>WH (mm)</b>	65
<b>L2 (mm)</b>	160
<b>L3 (mm)</b>	0
<b>ZJ (mm)</b>	225
<b>VD (mm)</b>	8
<b>N (mm)</b>	43.0
<b>BG (mm)</b>	23.0
<b>RT</b>	M12
<b>F (mm)</b>	14
<b>G (mm)</b>	10.5
<b>H (mm)</b>	30
<b>TG (mm)</b>	110.0
<b>R (mm)</b>	50
<b>E (mm)</b>	135.0
<b>SW1 (mm)</b>	27

<b>SW2 (mm)</b>	12
<b>SW3 (mm)</b>	4
<b>SW4 (mm)</b>	41
<b>Cushion stroke (mm)</b>	43