

Positioning feedback cylinders ISO 15552 - Series 6PF

Product code: 6PF3P125A0500

Datasheet creation date: 09/03/2025 22:50

Check the most updated document online [click here](#)

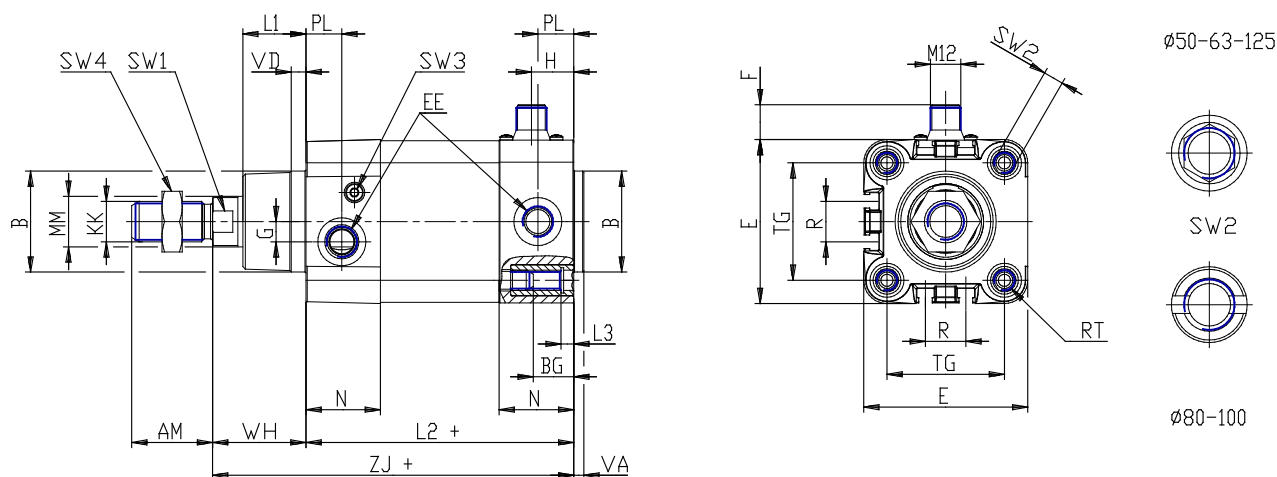


TECHNICAL DATA

| | |
|-----------------------------|--|
| Series | 6PF |
| Diameter (mm) | 125 |
| Operation | 3 = double-acting low friction, no cushion |
| Materials | P = chromed steel rod, anodized aluminum profile tube, NBR gaskets, zinc plated steel nuts and tie rods and NBR rod gasket |
| Stroke type | A = standard with lock nut for rod |
| Stroke (mm) | 500 |
| extended piston (mm) | 0 |
| Versions | - |
| Atex | No Atex |

Positioning feedback cylinders ISO 15552 - Series 6PF

Product code: 6PF3P125A0500



DIMENSIONS

| | |
|----------|-------|
| MM (mm) | 32 |
| KK | M27x2 |
| B (mm) | 60 |
| PL (mm) | 23.5 |
| L1 (mm) | 42 |
| AM (mm) | 54 |
| VA (mm) | 6 |
| EE | G1/2 |
| WH (mm) | 65 |
| L2 (mm) | 160 |
| L3 (mm) | 0 |
| ZJ (mm) | 225 |
| VD (mm) | 8 |
| N (mm) | 43.0 |
| BG (mm) | 23.0 |
| RT | M12 |
| F (mm) | 14 |
| G (mm) | 10.5 |
| H (mm) | 30 |
| TG (mm) | 110.0 |
| R (mm) | 50 |
| E (mm) | 135.0 |
| SW1 (mm) | 27 |

| | |
|---------------------|----|
| SW2 (mm) | 12 |
| SW3 (mm) | 4 |
| SW4 (mm) | 41 |
| Cushion stroke (mm) | 43 |