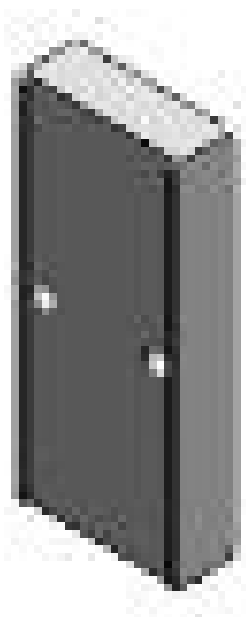


Excluder tap for manifold bases - Series 7

Product code: 701-TP

Datasheet creation date: 07/03/2025 16:17

Check the most updated document online [click here](#)

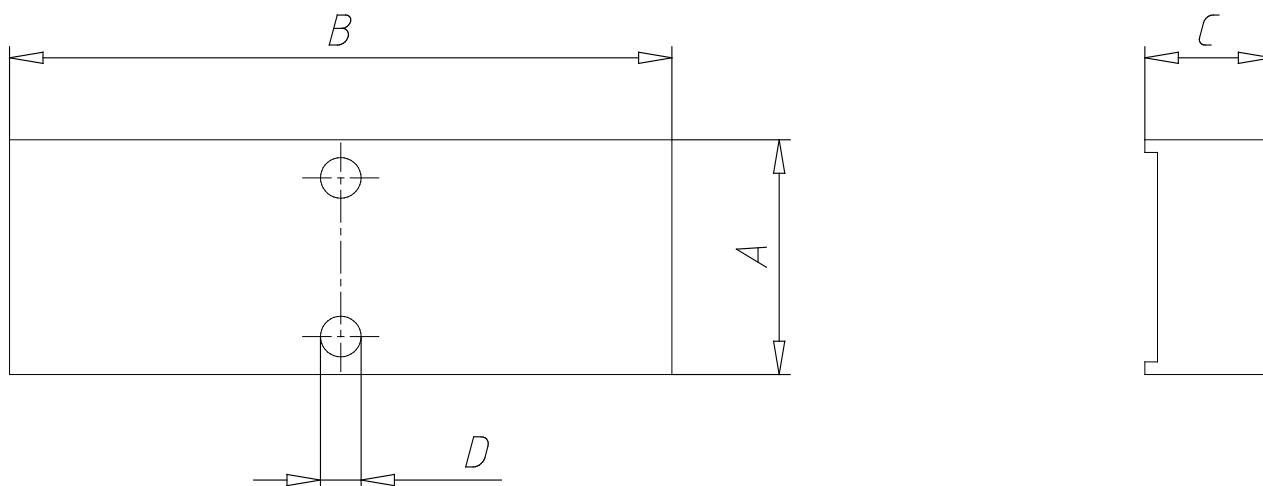


■ TECHNICAL DATA

Mod.	701-TP
Size (ISO 15407-1) (mm)	26

Excluder tap for manifold bases - Series 7

Product code: 701-TP



DIMENSIONS

A (mm)	26.5
B (mm)	61.7
C (mm)	10
D (mm)	4.2