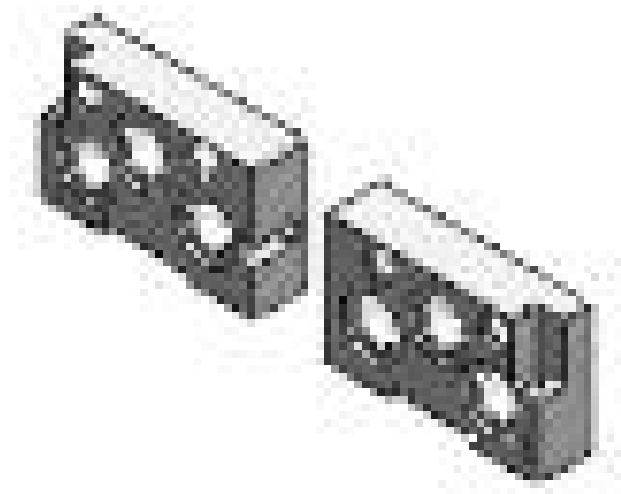


End blocks for manifold bases with common inlet and exhaust ports and with outlet ports

Product code: 701C-HN1

Datasheet creation date: 07/03/2025 16:17

Check the most updated document online [click here](#)

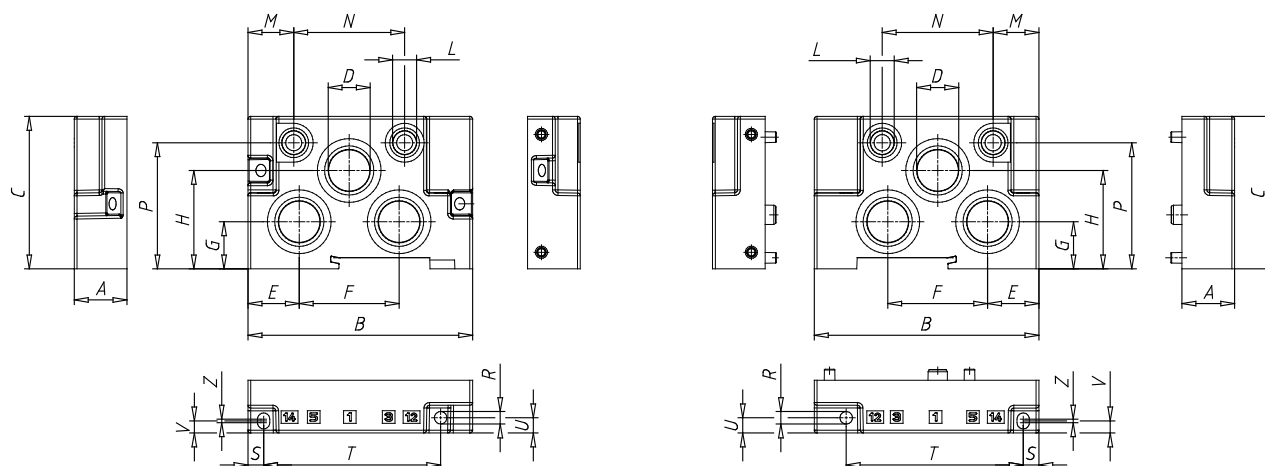


■ TECHNICAL DATA

Mod.	701C-HN1
Size (ISO 15407-1) (mm)	26
N° positions	1

End blocks for manifold bases with common inlet and exhaust ports and with outlet ports

Product code: 701C-HN1



DIMENSIONS

A (mm)	27
B (mm)	107
C (mm)	65
D	G1/2
E (mm)	23.0
F (mm)	60
G (mm)	24.5
H (mm)	43.0
L	G1/8
M (mm)	21.5
N (mm)	58
P (mm)	55.5
R (mm)	4.5
heavy (mm)	7.50
T (mm)	61.50
U (mm)	6.0
V (mm)	6.20
Z (mm)	4.0