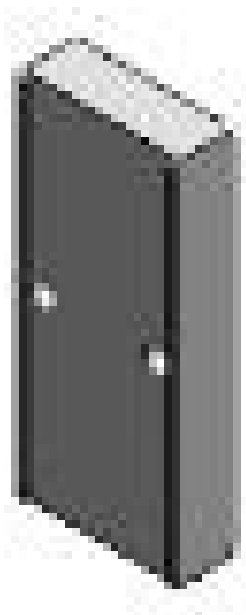


## Excluder tap for manifold bases - Series 7

Product code: 702-TP

Datasheet creation date: 07/03/2025 16:18

Check the most updated document online [click here](#)

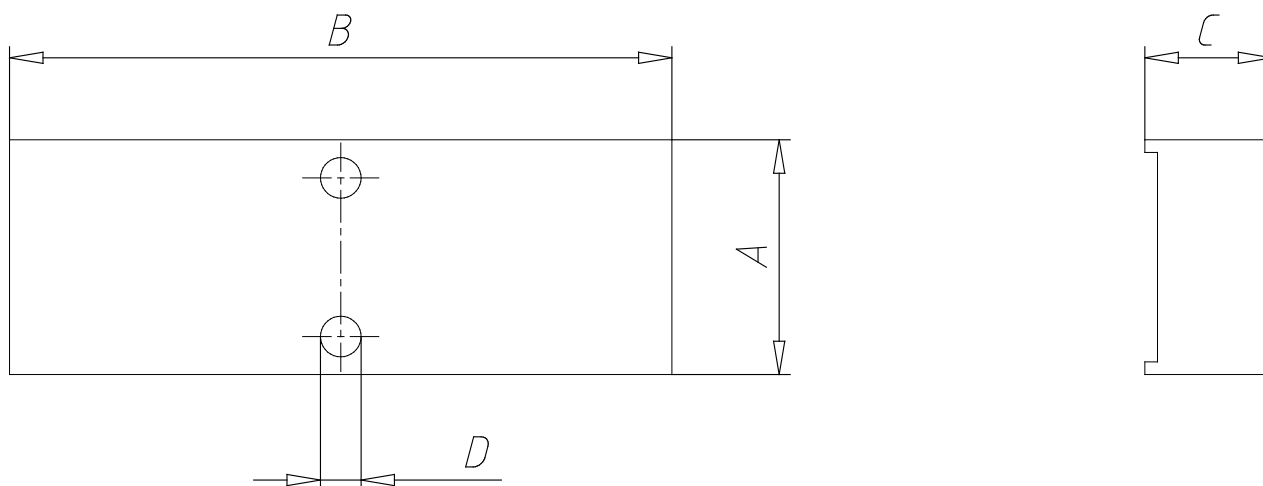


### ■ TECHNICAL DATA

Mod.	702-TP
Size (ISO 15407-1) (mm)	18

## Excluder tap for manifold bases - Series 7

Product code: 702-TP



### **DIMENSIONS**

<b>A (mm)</b>	18.5
<b>B (mm)</b>	52.2
<b>C (mm)</b>	10
<b>D (mm)</b>	3.2