

Mod. 8432 - Series 8000 fittings

Product code: 8432 8-1/8

Datasheet creation date: 10/03/2025 09:05

Check the most updated document online [click here](#)

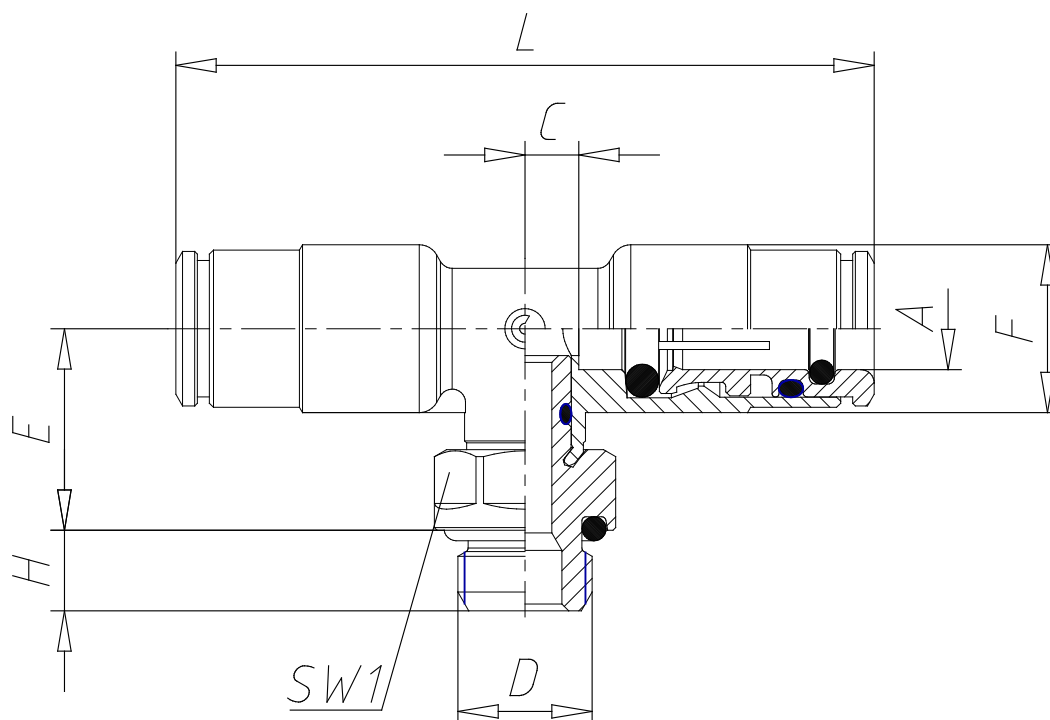


TECHNICAL DATA

Mod.	8432 8-1/8
------	------------

Mod. 8432 - Series 8000 fittings

Product code: 8432 8-1/8



DIMENSIONS

A (mm)	8
D	G 1/8
C (mm)	5
E (mm)	16.0
F (mm)	14.5
H (mm)	6
L (mm)	58
SW1 (mm)	12