

Mod. 8522 - Series 8000 fittings

Product code: 8522 12-3/8

Datasheet creation date: 10/03/2025 09:05

Check the most updated document online [click here](#)

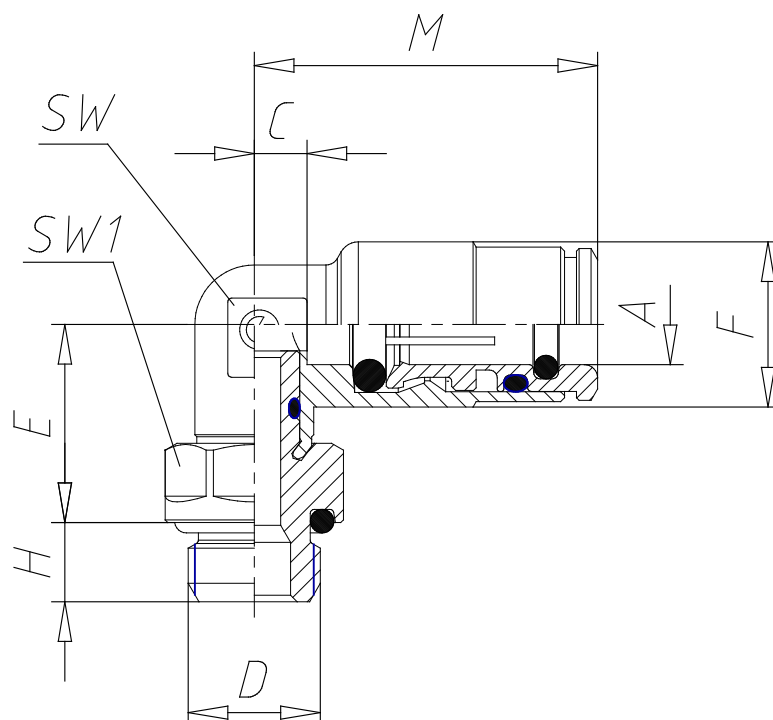


TECHNICAL DATA

Mod.	8522 12-3/8
------	-------------

Mod. 8522 - Series 8000 fittings

Product code: 8522 12-3/8



DIMENSIONS

A (mm)	12
D	G 3/8
C (mm)	7
E (mm)	20.5
F (mm)	19.0
H (mm)	7
M (mm)	33.0
SW (mm)	15
SW1 (mm)	19