

## End block for manifold sub-base (VDMA 24345) - Series 9

Product code: 901-H1

Datasheet creation date: 07/03/2025 16:18

Check the most updated document online [click here](#)

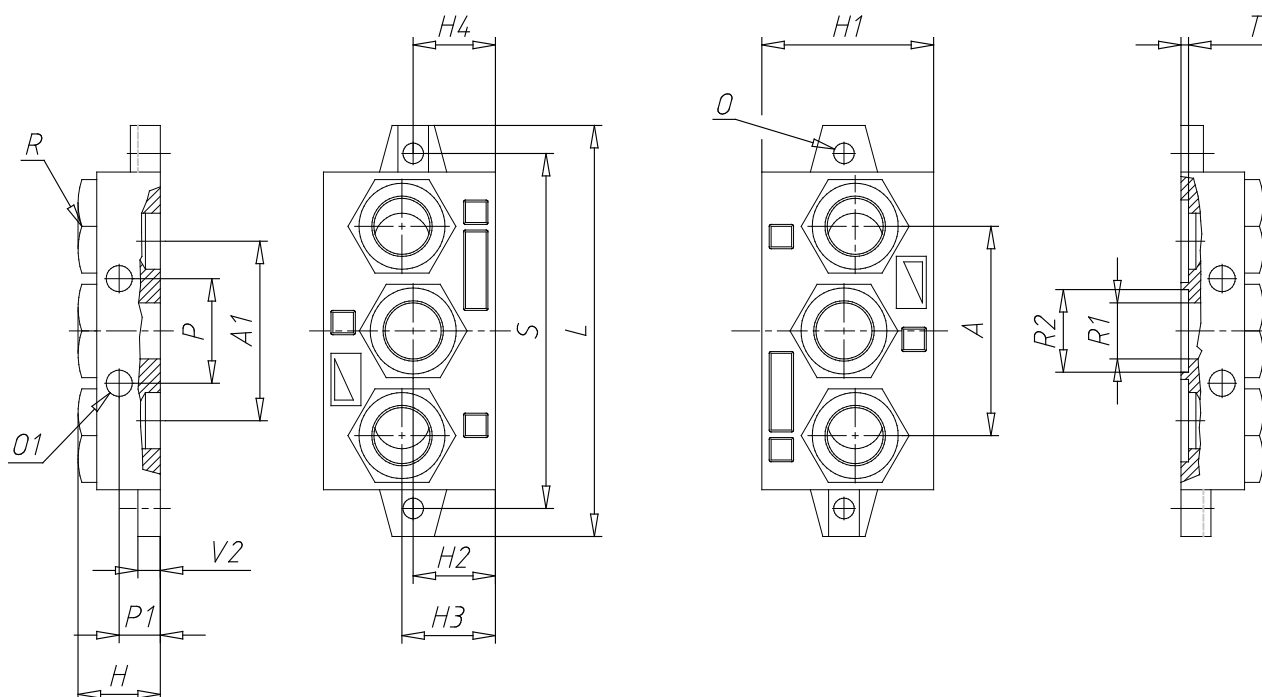


### TECHNICAL DATA

<b>Mod.</b>	901-H1
<b>Size</b>	1

## End block for manifold sub-base (VDMA 24345) - Series 9

Product code: 901-H1



### DIMENSIONS

<b>A (mm)</b>	56
<b>A1 (mm)</b>	48
<b>H (mm)</b>	22
<b>H1 (mm)</b>	46
<b>H2 (mm)</b>	22
<b>H3 (mm)</b>	25
<b>H4 (mm)</b>	22
<b>L (mm)</b>	110
<b>O (mm)</b>	5.5
<b>O1 (mm)</b>	7
<b>P (mm)</b>	28
<b>P1 (mm)</b>	11
<b>R</b>	G3/8
<b>ØR1</b>	15.0
<b>ØR2</b>	22.1
<b>S (mm)</b>	95
<b>T (mm)</b>	2.0
<b>V2 (mm)</b>	6