

End blocks for manifold bases with front outlets - Series 9

Product code: 901-HN1

Datasheet creation date: 07/03/2025 16:18

Check the most updated document online [click here](#)

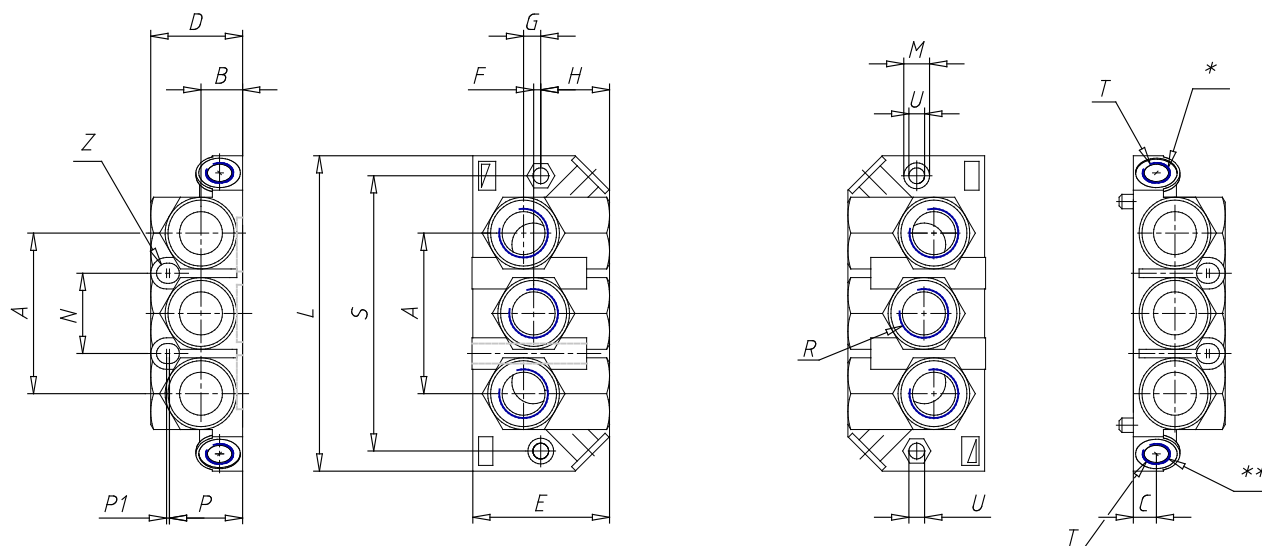


■ TECHNICAL DATA

| | |
|-------------|---------|
| Mod. (pair) | 901-HN1 |
| Size | 1 |

End blocks for manifold bases with front outlets - Series 9

Product code: 901-HN1



DIMENSIONS

| | |
|-------------------|------|
| A (mm) | 56 |
| B (mm) | 14.5 |
| C (mm) | 8 |
| D (mm) | 32 |
| E (mm) | 48 |
| F (mm) | 2.5 |
| G (mm) | 6 |
| H (mm) | 24 |
| L (mm) | 110 |
| M (mm) | 9 |
| N (mm) | 28 |
| P (mm) | 25.5 |
| P1 (mm) | 1 |
| R | 3/8" |
| heavy (mm) | 96 |
| T | G1/8 |
| U (mm) | 5.5 |
| Z (mm) | 3.5 |