

## End block for manifold sub-base (VDMA 24345) - Series 9

Product code: 903-H3

Datasheet creation date: 07/03/2025 16:18

Check the most updated document online [click here](#)

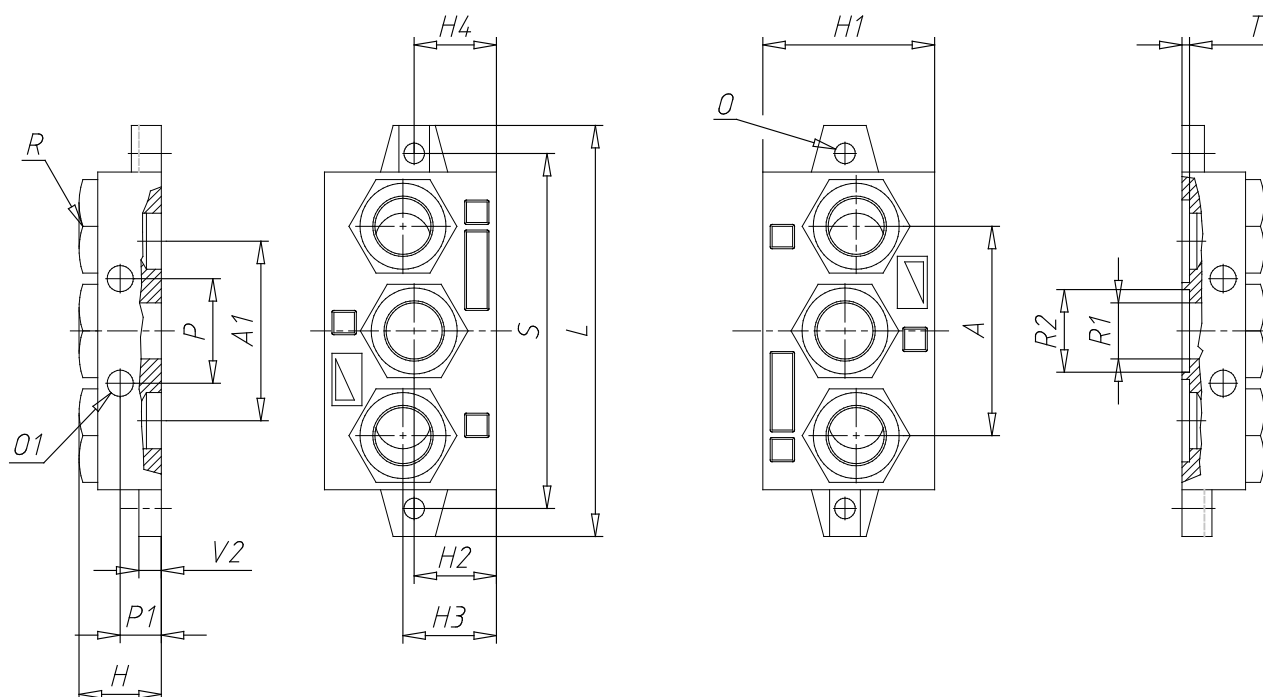


### TECHNICAL DATA

Mod.	903-H3
Size	3

## End block for manifold sub-base (VDMA 24345) - Series 9

Product code: 903-H3



### DIMENSIONS

<b>A (mm)</b>	104
<b>A1 (mm)</b>	94
<b>H (mm)</b>	30
<b>H1 (mm)</b>	56
<b>H2 (mm)</b>	22
<b>H3 (mm)</b>	25
<b>H4 (mm)</b>	25
<b>L (mm)</b>	190
<b>O (mm)</b>	9.0
<b>O1 (mm)</b>	12
<b>P (mm)</b>	52
<b>P1 (mm)</b>	15
<b>R</b>	G1
<b>ØR1</b>	28.0
<b>ØR2</b>	38.0
<b>S (mm)</b>	168
<b>T (mm)</b>	2.7
<b>V2 (mm)</b>	8