

• - Series 97

Product code: 97M2A040A0025

Datasheet creation date: 07/03/2025 17:36

Check the most updated document online [click here](#)

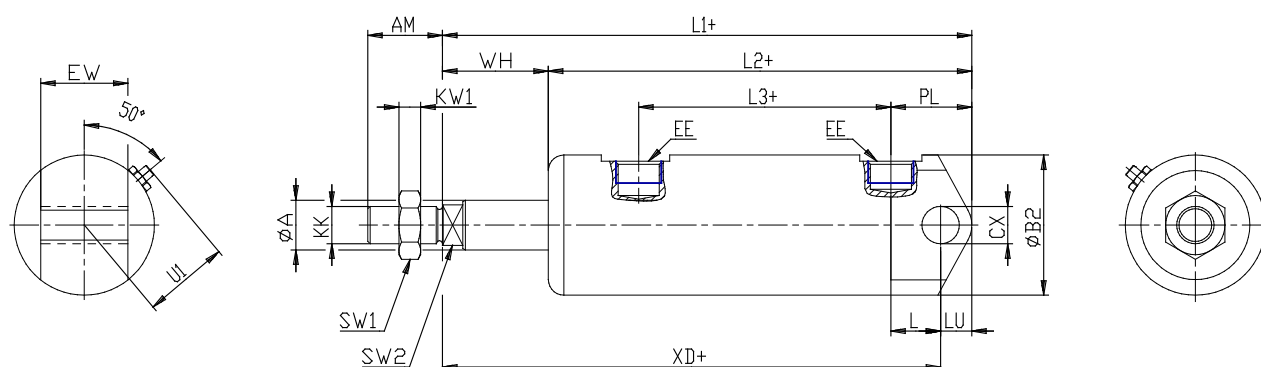


TECHNICAL DATA

| | |
|-----------------------------|--|
| Series (mm) | 97 |
| Diameter (mm) | 40 |
| Version (mm) | M = rear male hinge |
| Operation (mm) | 2 = double-acting (front and rear cushions) |
| Materials (mm) | A = stainless steel AISI 304 - PU seals |
| Construction (mm) | A = standard (locking ring for end cap V + lock nut for rod U) |
| Stroke type | standard |
| Stroke (mm) | 25 |
| rod seal in FKM (mm) | - |

• - Series 97

Product code: 97M2A040A0025



DIMENSIONS

| | |
|-----------|----------|
| Ø A (mm) | 16 |
| AM (mm) | 24 |
| Ø B (mm) | - |
| Ø B2 (mm) | 45 |
| CB (mm) | - |
| CX (mm) | 12 |
| EE (mm) | G 1/4 |
| EP (mm) | - |
| EX (mm) | - |
| EW (mm) | 28 |
| F (mm) | 6 |
| G (mm) | 50 |
| KK (mm) | M12X1,25 |
| PL (mm) | 26.0 |
| SW (mm) | - |
| SW1 (mm) | 19 |
| KW1 (mm) | 7 |
| SW2 (mm) | 13 |
| U1 (mm) | 27 |
| WH | 34.0 |
| L1 | 170.0 |
| L2 (mm) | 136.0 |
| L3 (mm) | 81 |

| | |
|-----------|-----|
| L4 | - |
| L7 (mm) | - |
| L (mm) | 16 |
| LT (mm) | - |
| LU (mm) | 10 |
| KW (mm) | - |
| Ø KV (mm) | - |
| XD (mm) | 185 |
| XG (mm) | - |
| TD (mm) | - |
| TL (mm) | - |
| UB (mm) | - |
| UT (mm) | - |
| ZC (mm) | - |
| Z (mm) | - |