

• - Series 97

Product code: 97S2A032A0050

Datasheet creation date: 07/03/2025 17:33

Check the most updated document online [click here](#)

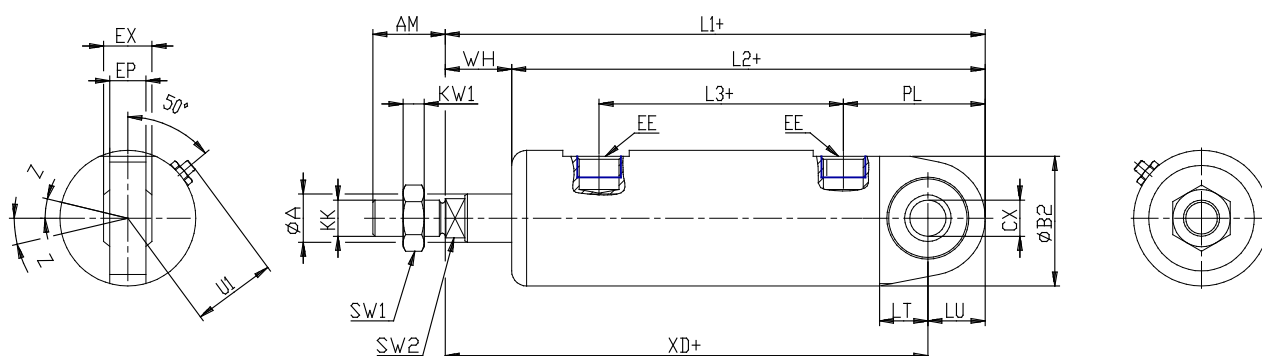


**TECHNICAL DATA**

|                             |  |
|-----------------------------|--|
| <b>Series (mm)</b>          | 97   |
| <b>Diameter (mm)</b>        | 32   |
| <b>Version (mm)</b>         | S = articulated rear male hinge                                |
| <b>Operation (mm)</b>       | 2 = double-acting (front and rear cushions)                    |
| <b>Materials (mm)</b>       | A = stainless steel AISI 304 - PU seals                        |
| <b>Construction (mm)</b>    | A = standard (locking ring for end cap V + lock nut for rod U) |
| <b>Stroke type</b>          | standard   |
| <b>Stroke (mm)</b>          | 50   |
| <b>rod seal in FKM (mm)</b> | -  |

• - Series 97

Product code: 97S2A032A0050



**DIMENSIONS**

|           |          |
|-----------|----------|
| Ø A (mm)  | 12       |
| AM (mm)   | 22       |
| Ø B (mm)  | -        |
| Ø B2 (mm) | 36       |
| CB (mm)   | -        |
| CX (mm)   | 10       |
| EE (mm)   | G 1/8    |
| EP (mm)   | 10.5     |
| EX (mm)   | 14       |
| EW (mm)   | -        |
| F (mm)    | 5        |
| G (mm)    | 38       |
| KK (mm)   | M10X1,25 |
| PL (mm)   | 37.0     |
| SW (mm)   | -        |
| SW1 (mm)  | 17       |
| KW1 (mm)  | 6        |
| SW2 (mm)  | 10       |
| U1 (mm)   | 23       |
| WH        | 18.0     |
| L1        | 157.0    |
| L2 (mm)   | 139.0    |
| L3 (mm)   | 76       |

|           |     |
|-----------|-----|
| L4        | -   |
| L7 (mm)   | -   |
| L (mm)    | -   |
| LT (mm)   | 13  |
| LU (mm)   | 15  |
| KW (mm)   | -   |
| Ø KV (mm) | -   |
| XD (mm)   | 167 |
| XG (mm)   | -   |
| TD (mm)   | -   |
| TL (mm)   | -   |
| UB (mm)   | -   |
| UT (mm)   | -   |
| ZC (mm)   | -   |
| Z (mm)    | 13  |